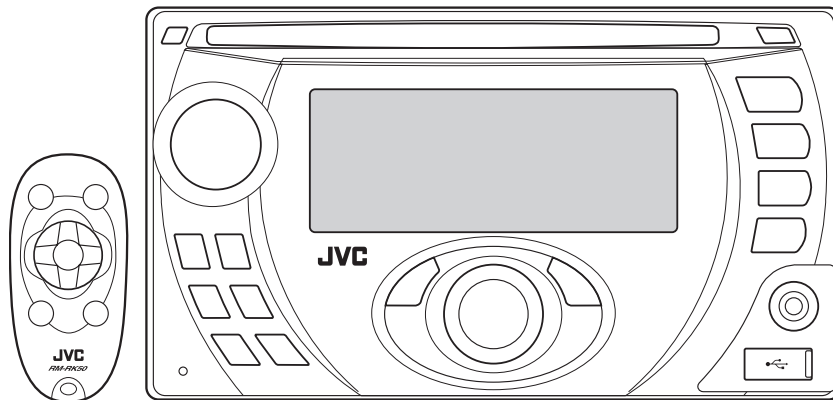


JVC

SERVICE MANUAL

CD RECEIVER

**KW-XG700J, KW-XG701E, KW-XG701EX,
KW-XG701EY, KW-XG701EU, KW-XG704UI,
KW-XG705U, KW-XG705UN, KW-XG705UH,
KW-XG706U, KW-XG706UN, KW-XG706UH,
KW-XG707EE, KW-XG708UF**



KW-XG700



KW-XG700

WMA MP3



KW-XG701
KW-XG707

* Please refer to the mechanism manual (model TN2007-1010 ([No.MY005](#) and [No.MY005B](#))) for the CD mechanism.

Lead free solder used in the board (material : Sn-Ag-Cu, melting point : 219 Centigrade)

Lead free solder used in the board (material : Sn-Cu, melting point : 230 Centigrade)

TABLE OF CONTENTS

1	PRECAUTION.....	1-7
2	SPECIFIC SERVICE INSTRUCTIONS.....	1-10
3	DISASSEMBLY.....	1-11
4	ADJUSTMENT.....	1-15
5	TROUBLESHOOTING.....	1-16

SPECIFICATION

KW-XG700

AUDIO AMPLIFIER SECTION		
Power Output		20 W RMS × 4 Channels at 4 Ω and [\leq] 1% THD+N
Signal to Noise Ratio		80 dBA (reference: 1 W into 4 Ω)
Load Impedance		4 Ω (4 Ω to 8 Ω allowance)
Tone Control Range	Bass	±12 dB at 60 Hz
	Mid-range	±12 dB at 1 kHz
	Treble	±12 dB at 10 kHz
Frequency Response		40 Hz to 20 000 Hz
Line-Out Level/Impedance		2.5 V/20 kΩ load (full scale)
Output Impedance		1 kΩ
Subwoofer-Out Level/Impedance		2.5 V/20 kΩ load (full scale)
Other Terminal		CD changer, Steering wheel remote input, USB input terminal, Subwoofer input, AUX (auxiliary) input jack
TUNER SECTION		
Frequency Range	FM	87.5 MHz to 107.9 MHz (with channel interval set to 100 kHz or 200 kHz) 87.5 MHz to 108.0 MHz (with channel interval set to 50 kHz)
	AM	530 kHz to 1 710 kHz (with channel interval set to 10 kHz) 531 kHz to 1 602 kHz (with channel interval set to 9 kHz)
FM Tuner	Usable Sensitivity	11.3 dBf (1.0 μV/75 Ω)
	50 dB Quieting Sensitivity	16.3 dBf (1.8 μV/75 Ω)
	Alternate Channel Selectivity (400 kHz)	65 dB
	Frequency Response	40 Hz to 15 000 Hz
	Stereo Separation	35 dB
AM Tuner	Sensitivity	20 μV
	Selectivity	35 dB
CD PLAYER SECTION		
Type		Compact disc player
Signal Detection System		Non-contact optical pickup (semiconductor laser)
Number of Channels		2 channels (stereo)
Frequency Response		5 Hz to 20 000 Hz
Dynamic Range		96 dB
Signal-to-Noise Ratio		98 dB
Wow and Flutter		Less than measurable limit
MP3 Decoding Format: (MPEG1/2 Audio Layer 3)		Max. Bit Rate: 320 kbps
WMA (Windows Media® Audio) Decoding Format		Max. Bit Rate: 192 kbps
AAC (Advanced Audio Coding) Decoding Format		Max. Bit Rate: 320 kbps
USB DEVICE		
USB Standard		USB 1.1
Data Transfer Rate	Full Speed	Maximum 12 Mbps
	Low Speed	Maximum 1.5 Mbps
Compatible Device		Mass storage class, MTP
Compatible File System		FAT 32/16/12
Playable Audio Format		MP3/WMA/AAC/WAV
Max. Current		Less than 500 mA
GENERAL		
Power Requirement	Operating Voltage	DC 14.4 V (11 V to 16 V allowance)
Grounding System		Negative ground
Allowable Operating Temperature		0°C to +40°C (32°F to 104°F)
Dimensions (W × H × D) (approx.)	Installation Size	178 mm × 100 mm × 158 mm (7-1/16" × 3-15/16" × 6-1/4")
	Set Size	178 mm × 100 mm × 178 mm (7-1/16" × 3-15/16" × 7-1/16")
Mass		1.8 kg (4.0 lbs) (excluding accessories)

Design and specifications are subject to change without notice.

KW-XG701

AUDIO AMPLIFIER SECTION		
Maximum Power Output	Front and rear	50 W per channel
Continuous Power Output (RMS)	Front and rear	19 W per channel into 4 Ω , 40 Hz to 20 000 Hz at no more than 0.8% total harmonic distortion.
Load Impedance		4 Ω (4 Ω to 8 Ω allowance)
Tone Control Range	Bass	± 12 dB at 60 Hz
	Mid-range	± 12 dB at 1 kHz
	Treble	± 12 dB at 10 kHz
Frequency Response		40 Hz to 20 000 Hz
Signal to Noise Ratio		70 dB
Line-Out Level/Impedance		2.5 V/20 k Ω load (full scale)
Output Impedance		1 k Ω
Subwoofer-Out Level/Impedance		2.5 V/20 k Ω load (full scale)
Other Terminal		CD changer, Steering wheel remote input, USB input terminal, Subwoofer input, AUX (auxiliary) input jack
TUNER SECTION		
Frequency Range	FM	87.5 MHz to 108.0 MHz
	AM	(MW) 522 kHz to 1 620 kHz (LW) 144 kHz to 279 kHz
FM Tuner	Usable Sensitivity	11.3 dBf (1.0 μ V/75 Ω)
	50 dB Quieting Sensitivity	16.3 dBf (1.8 μ V/75 Ω)
	Alternate Channel Selectivity (400 kHz)	65 dB
	Frequency Response	40 Hz to 15 000 Hz
	Stereo Separation	30 dB
MW Tuner	Sensitivity	20 μ V
	Selectivity	35 dB
LW Tuner	Sensitivity	50 μ V
CD PLAYER SECTION		
Type		Compact disc player
Signal Detection System		Non-contact optical pickup (semiconductor laser)
Number of Channels		2 channels (stereo)
Frequency Response		5 Hz to 20 000 Hz
Dynamic Range		96 dB
Signal-to-Noise Ratio		98 dB
Wow and Flutter		Less than measurable limit
MP3 Decoding Format: (MPEG1/2 Audio Layer 3)		Max. Bit Rate: 320 kbps
WMA (Windows Media® Audio) Decoding Format		Max. Bit Rate: 192 kbps
AAC (Advanced Audio Coding) Decoding Format		Max. Bit Rate: 320 kbps
USB DEVICE		
USB Standard		USB 1.1
Data Transfer Rate	Full Speed	Maximum 12 Mbps
	Low Speed	Maximum 1.5 Mbps
Compatible Device		Mass storage class, MTP
Compatible File System		FAT 32/16/12
Playable Audio Format		MP3/WMA/AAC/WAV
Max. Current		Less than 500 mA
GENERAL		
Power Requirement	Operating Voltage	DC 14.4 V (11 V to 16 V allowance)
Grounding System		Negative ground
Allowable Operating Temperature		0°C to +40°C
Dimensions (W \times H \times D) (approx.)	Installation Size	182 mm \times 111 mm \times 158 mm
	Set Size	178 mm \times 100 mm \times 178 mm
Mass		2.3 kg (excluding accessories)

Design and specifications are subject to change without notice.

KW-XG704

AUDIO AMPLIFIER SECTION		
Maximum Power Output	Front and rear	50 W per channel
Continuous Power Output (RMS)	Front and rear	19 W per channel into 4 Ω , 40 Hz to 20 000 Hz at no more than 0.8% total harmonic distortion.
Load Impedance		4 Ω (4 Ω to 8 Ω allowance)
Tone Control Range	Bass	± 12 dB at 60 Hz
	Mid-range	± 12 dB at 1 kHz
	Treble	± 12 dB at 10 kHz
Frequency Response		40 Hz to 20 000 Hz
Signal-to-Noise Ratio		70 dB
Line-Out Level/Impedance		2.5 V/20 k Ω load (full scale)
Output Impedance		1 k Ω
Subwoofer-Out Level/Impedance		2.5 V/20 k Ω load (full scale)
Other Terminal		CD changer, USB input terminal, Subwoofer input, AUX (auxiliary) input jack
TUNER SECTION		
Frequency Range	FM	87.5 MHz to 108.0 MHz
	AM	531 kHz to 1 602 kHz
FM Tuner	Usable Sensitivity	11.3 dBf (1.0 μ V/75 Ω)
	50 dB Quieting Sensitivity	16.3 dBf (1.8 μ V/75 Ω)
	Alternate Channel Selectivity (400 kHz)	65 dB
	Frequency Response	40 Hz to 15 000 Hz
	Stereo Separation	30 dB
AM Tuner	Sensitivity	20 μ V
	Selectivity	35 dB
CD PLAYER SECTION		
Type		Compact disc player
Signal Detection System		Non-contact optical pickup (semiconductor laser)
Number of Channels		2 channels (stereo)
Frequency Response		5 Hz to 20 000 Hz
Dynamic Range/Signal-to-Noise Ratio		96 dB/98 dB
Wow and Flutter		Less than measurable limit
MP3 Decoding Format: (MPEG1/2 Audio Layer 3)		Max. Bit Rate: 320 kbps
WMA (Windows Media® Audio) Decoding Format		Max. Bit Rate: 192 kbps
USB DEVICE		
USB Standard		USB 1.1
Data Transfer Rate	Full Speed	Maximum 12 Mbps
	Low Speed	Maximum 1.5 Mbps
Compatible Device		Mass storage class
Compatible File System		FAT 32/16/12
Playable Audio Format		MP3/WMA/WAV
Max. Current		Less than 500 mA
GENERAL		
Power Requirement	Operating Voltage	DC 14.4 V (11 V to 16 V allowance)
Grounding System		Negative ground
Allowable Operating Temperature		0°C to +40°C
Dimensions (W \times H \times D) (approx.)	Installation Size	178 mm \times 100 mm \times 158 mm
	Set Size:	178 mm \times 100 mm \times 178 mm
Mass		1.8 kg (excluding accessories)

Design and specifications are subject to change without notice.

KW-XG705/KW-XG706/KW-XG708

AUDIO AMPLIFIER SECTION		
Maximum Power Output	Front and rear	50 W per channel
Continuous Power Output (RMS)	Front and rear	19 W per channel into 4 Ω , 40 Hz to 20 000 Hz at no more than 0.8% total harmonic distortion.
Load Impedance		4 Ω (4 Ω to 8 Ω allowance)
Tone Control Range	Bass	± 12 dB at 60 Hz
	Mid-range	± 12 dB at 1 kHz
	Treble	± 12 dB at 10 kHz
Frequency Response		40 Hz to 20 000 Hz
Signal-to-Noise Ratio		70 dB
Line-Out Level/Impedance		2.5 V/20 k Ω load (full scale)
Output Impedance		1 k Ω
Subwoofer-Out Level/Impedance		2.5 V/20 k Ω load (full scale)
Other Terminal		CD changer, USB input terminal, Subwoofer input, AUX (auxiliary) input jack
TUNER SECTION		
Frequency Range	FM	87.5 MHz to 108.0 MHz
	AM	531 kHz to 1 602 kHz
FM Tuner	Usable Sensitivity	11.3 dBf (1.0 μ V/75 Ω)
	50 dB Quieting Sensitivity	16.3 dBf (1.8 μ V/75 Ω)
	Alternate Channel Selectivity (400 kHz)	65 dB
	Frequency Response	40 Hz to 15 000 Hz
	Stereo Separation	30 dB
AM Tuner	Sensitivity	20 μ V
	Selectivity	35 dB
CD PLAYER SECTION		
Type		Compact disc player
Signal Detection System		Non-contact optical pickup (semiconductor laser)
Number of Channels		2 channels (stereo)
Frequency Response		5 Hz to 20 000 Hz
Dynamic Range/Signal-to-Noise Ratio		96 dB/98 dB
Wow and Flutter		Less than measurable limit
MP3 Decoding Format: (MPEG1/2 Audio Layer 3)		Max. Bit Rate: 320 kbps
WMA (Windows Media® Audio) Decoding Format		Max. Bit Rate: 192 kbps
USB DEVICE		
USB Standard		USB 1.1
Data Transfer Rate	Full Speed	Maximum 12 Mbps
	Low Speed	Maximum 1.5 Mbps
Compatible Device		Mass storage class
Compatible File System		FAT 32/16/12
Playable Audio Format		MP3/WMA/WAV
Max. Current		Less than 500 mA
GENERAL		
Power Requirement	Operating Voltage	DC 14.4 V (11 V to 16 V allowance)
Grounding System		Negative ground
Allowable Operating Temperature		0°C to +40°C
Dimensions (W \times H \times D) (approx.)	Installation Size	178 mm \times 100 mm \times 158 mm
	Set Size	178 mm \times 100 mm \times 178 mm
Mass		1.8 kg (excluding accessories)

Design and specifications are subject to change without notice.


KW-XG707


AUDIO AMPLIFIER SECTION		
Maximum Power Output	Front and rear	50 W per channel
Continuous Power Output (RMS)	Front and rear	19 W per channel into 4 Ω , 40 Hz to 20 000 Hz at no more than 0.8% total harmonic distortion.
Load Impedance		4 Ω (4 Ω to 8 Ω allowance)
Tone Control Range	Bass	± 12 dB at 60 Hz
	Mid-range	± 12 dB at 1 kHz
	Treble	± 12 dB at 10 kHz
Frequency Response		40 Hz to 20 000 Hz
Signal to Noise Ratio		70 dB
Line-Out Level/Impedance		2.5 V/20 k Ω load (full scale)
Output Impedance		1 k Ω
Subwoofer-Out Level/Impedance		2.5 V/20 k Ω load (full scale)
Other Terminal		CD changer, USB input terminal, Subwoofer input, AUX (auxilliary) input jack
TUNER SECTION		
Frequency Range	FM1/FM2	87.5 MHz to 108.0 MHz
	FM3	65.00 MHz to 74.00 MHz
	AM	(MW) 522 kHz to 1 620 kHz (LW) 144 kHz to 279 kHz
FM Tuner	Usable Sensitivity	11.3 dBf (1.0 μ V/75 Ω)
	50 dB Quieting Sensitivity	16.3 dBf (1.8 μ V/75 Ω)
	Alternate Channel Selectivity (400 kHz)	65 dB
	Frequency Response	40 Hz to 15 000 Hz
	Stereo Separation	30 dB
MW Tuner	Sensitivity	20 μ V
	Selectivity	35 dB
LW Tuner	Sensitivity	50 μ V
CD PLAYER SECTION		
Type		Compact disc player
Signal Detection System		Non-contact optical pickup (semiconductor laser)
Number of Channels		2 channels (stereo)
Frequency Response		5 Hz to 20 000 Hz
Dynamic Range		96 dB
Signal-to-Noise Ratio		98 dB
Wow and Flutter		Less than measurable limit
MP3 Decoding Format: (MPEG1/2 Audio Layer 3)		Max. Bit Rate: 320 kbps
WMA (Windows Media® Audio) Decoding Format		Max. Bit Rate: 192 kbps
AAC (Advanced Audio Coding) Decoding Format		Max. Bit Rate: 320 kbps
USB DEVICE		
USB Standard		USB 1.1
Data Transfer Rate	Full Speed	Maximum 12 Mbps
	Low Speed	Maximum 1.5 Mbps
Compatible Device		Mass storage class, MTP
Compatible File System		FAT 32/16/12
Playable Audio Format		MP3/WMA/AAC/WAV
Max. Current:		Less than 500 mA
GENERAL		
Power Requirement	Operating Voltage	DC 14.4 V (11 V to 16 V allowance)
Grounding System		Negative ground
Allowable Operating Temperature		0°C to +40°C
Dimensions (W \times H \times D) (approx.)	Installation Size	182 mm \times 111 mm \times 158 mm
	Set Size	178 mm \times 100 mm \times 178 mm
Mass		2.3 kg (excluding accessories)

Design and specifications are subject to change without notice.

SECTION 1 PRECAUTION

1.1 Safety Precautions

 **CAUTION** Burrs formed during molding may be left over on some parts of the chassis. Therefore, pay attention to such burrs in the case of performing repair of this system.

 **CAUTION** Please use enough caution not to see the beam directly or touch it in case of an adjustment or operation check.

1.2 Preventing static electricity

Electrostatic discharge (ESD), which occurs when static electricity stored in the body, fabric, etc. is discharged, can destroy the laser diode in the traverse unit (optical pickup). Take care to prevent this when performing repairs.

1.2.1 Grounding to prevent damage by static electricity

Static electricity in the work area can destroy the optical pickup (laser diode) in devices such as laser products.

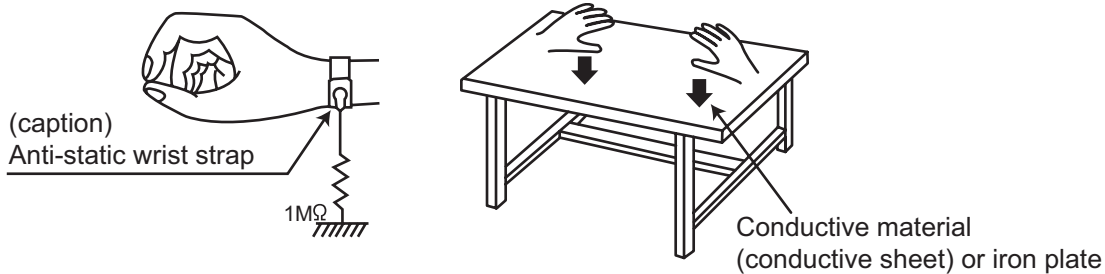
Be careful to use proper grounding in the area where repairs are being performed.

(1) Ground the workbench

Ground the workbench by laying conductive material (such as a conductive sheet) or an iron plate over it before placing the traverse unit (optical pickup) on it.

(2) Ground yourself

Use an anti-static wrist strap to release any static electricity built up in your body.



(3) Handling the optical pickup

- In order to maintain quality during transport and before installation, both sides of the laser diode on the replacement optical pickup are shorted. After replacement, return the shorted parts to their original condition. (Refer to the text.)
- Do not use a tester to check the condition of the laser diode in the optical pickup. The tester's internal power source can easily destroy the laser diode.

1.3 Handling the traverse unit (optical pickup)

(1) Do not subject the traverse unit (optical pickup) to strong shocks, as it is a sensitive, complex unit.

(2) Cut off the shorted part of the flexible cable using nippers, etc. after replacing the optical pickup. For specific details, refer to the replacement procedure in the text. Remove the anti-static pin when replacing the traverse unit. Be careful not to take too long a time when attaching it to the connector.

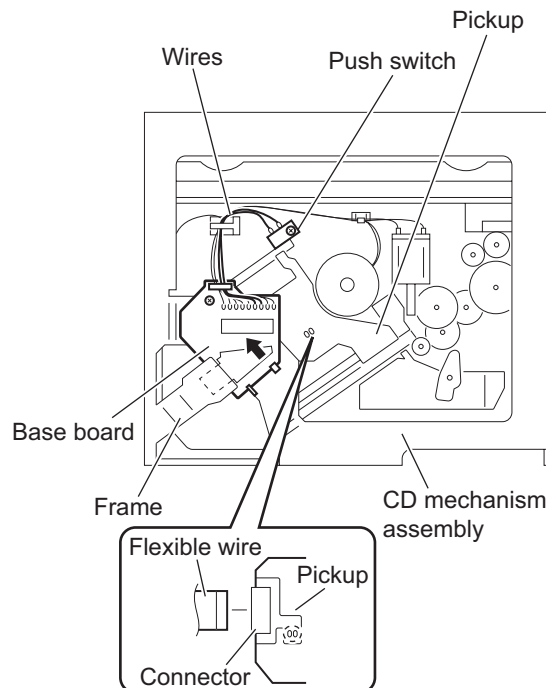
(3) Handle the flexible cable carefully as it may break when subjected to strong force.

(4) It is not possible to adjust the semi-fixed resistor that adjusts the laser power. Do not turn it.

1.4 Attention when traverse unit is decomposed

***Please refer to "Disassembly method" in the text for the pickup unit.**

- Apply solder to the short land before the card wire is disconnected from the connector on the pickup unit. (If the card wire is disconnected without applying solder, the pickup may be destroyed by static electricity.)
- In the assembly, be sure to remove solder from the short land after connecting the card wire.



1.5 Important for laser products

1. CLASS 1 LASER PRODUCT

2. CAUTION :

(For U.S.A.) Visible and/or invisible class II laser radiation when open. Do not stare into beam.

(Others) Visible and/or invisible class 1M laser radiation when open. Do not view directly with optical instruments.

3. CAUTION : Visible and/or invisible laser radiation when open and inter lock failed or defeated. Avoid direct exposure to beam.

4. CAUTION : This laser product uses visible and/or invisible laser radiation and is equipped with safety switches which prevent emission of radiation when the drawer is open and the safety interlocks have failed or are defeated. It is dangerous to defeat the safety switches.

(For U.S.A.)

CAUTION : Visible and/or invisible class II laser radiation when open. Do not stare into beam.

(Others)

CAUTION : Visible and/or invisible class 1M laser radiation when open. Do not view directly with optical instruments

ACHTUNG: Sichtbare und/oder unsichtbare Laserstrahlung der Klasse 1M bei offenen Abdeckungen. Nicht direkt mit optischen Instrumenten betrachten.

ATTENTION: Rayonnement laser visible et/ou invisible de classe 1M une fois ouvert. Ne pas regarder directement avec des instruments optiques.

VOORZICHTIG: Zichtbare en/of onzichtbare klasse 1M laserstralen indien geopend. Bekijk niet direct met optische instrumenten.

ATTENZIONE: Radiazione laser in classe 1M visibile e/o invisibile quando aperto. Non osservare direttamente con strumenti ottici.

WARNING: Synlig och/eller osynlig laserstrålning, klass 1M, när denna del är öppnad. Betrakta ej strålen med optiska instrument.

VARO! Avattaessa olet alttiina näkyvälle ja/tai näkymättömälle luokan 1M lasersäteilylle. Älä tarkastele sitä optisen laitteen läpi.

ADVARSEL: Synlig og/eller usynlig klasse 1M-laserstråling ved åbning. Se ikke direkte med optiske instrumenter.

AVISO: Radiación láser de clase 1M visible y/o invisible cuando está abierto. No mirar directamente con instrumental óptico.

PRECAUÇÃO: Radiação laser de classe 1M visível e/ou invisível quando aberto. Não olhe diretamente com instrumentos ópticos.

5. CAUTION : If safety switches malfunction, the laser is able to function.

6. CAUTION : Use of controls, adjustments or performance of procedures other than those specified here in may result in hazardous radiation exposure.



CAUTION Please use enough caution not to see the beam directly or touch it in case of an adjustment or operation check.

PRECAUÇÃO: Radiação laser de classe 1M visível e/ou invisível quando aberto. Não olhe diretamente com instrumentos ópticos.

ПРЕДУПРЕЖДЕНИЕ: В открытом состоянии происходит видимое и/или невидимое излучение лазера класса 1M. Не смотрите непосредственно в оптические инструменты.

UWAGA: Otwarcie spowoduje narażenie na widzialne i/lub niewidzialne promieniowanie lasera klasy 1M. Nie patrzeć bezpośrednio w przyrządy optyczne.

UPOZORNĚNÍ: Při otevření vydává viditelné popř. neviditelné laserové ozáření třídy 1M. Nedívejte se do otvoru přímo s optickými nástroji.

FIGYELMEZTETÉS: Látható és/vagy láthatatlan 1M osztályú sugárzás nyitott állapotban. Ne nézze közvetlenül optikai műszerekkel.

注意：打開蓋板可能會產生可見或不可見的 1M 級鐳射。不要使用光學儀器直接進行窺視。

注意：打开盖板可能会产生可见或不可见的 1M 级辐射。不要使用光学仪器直接进行窥视。

تنبيه: يوجد إشعاع ليزري مرئي و/أو غير مرئي من الفئة 1M عندما يكون الجهاز مفتوحاً. تجنب النظر مباشرة داخل الجهاز باستخدام أدوات بصرية.

احتياط: هنگامی که باز گردد، تشعشع مرئی و یا نامرئی کلاس 1M لیزر وجود دارد. با لوازم چشمی مستقیماً به آن نگاه نکنید.

주의: 개방하면 가지 및/또는 비가시 클래스 1M 레이저 방사선이 나옵니다. 광학 기구로 직접 들여다보지 마십시오.

REPRODUCTION AND POSITION OF LABELS and PRINT WARNING LABEL and PRINT



CAUTION VISIBLE AND/OR INVISIBLE CLASS 1M LASER RADIATION WHEN OPEN. DO NOT VIEW DIRECTLY WITH OPTICAL INSTRUMENTS. IEC30025-1:2001 (ENG)	ATTENTION RAYONNEMENT LASER VISIBLE ET/OU INVISIBLE DE CLASSE 1M UNE FOIS OUVERT. NE PAS REGARDER DIRECTEMENT AVEC DES INSTRUMENTS OPTIQUES. (FRA)	AVISO RADIACIÓN LÁSER DE CLASE 1M VISIBLE Y/O INVISIBLE CUANDO ESTA ABIERTO. NO MIRAR DIRECTAMENTE CON INSTRUMENTAL ÓPTICO. (ESP)	WARNING SYNLIG OCH/ELLER OSYNLIG LASERSTRÅLNING, KLASS 1M, NÄR DENNA DEL ÄR ÖPPNAD. BETRAKTA EJ STRÅLEN MED OPTISKA INSTRUMENT. (SWE)	注意 ここに置くと可視 及び/または不可視 のクラス1M レーザー放射が 出ます。 光学装置で直接 見ないでください。 (JPN)	CAUTION VISIBLE AND/OR INVISIBLE CLASS 1 LASER RADIATION WHEN OPEN. DO NOT STARE INTO BEAM. FDA 21 CFR (ENG) LV44803-003A
--	--	---	---	--	--

SECTION 2 SPECIFIC SERVICE INSTRUCTIONS

This service manual does not describe SPECIFIC SERVICE INSTRUCTIONS.

SECTION 3 DISASSEMBLY

3.1 Main body

3.1.1 Removing the FRONT PANEL assembly (See Fig.1)

- (1) From the bottom side of main body, remove the two screws **A** attaching the both side of the FRONT PANEL assembly.
- (2) Disengage two hooks **a** engaged CHASSIS assembly.

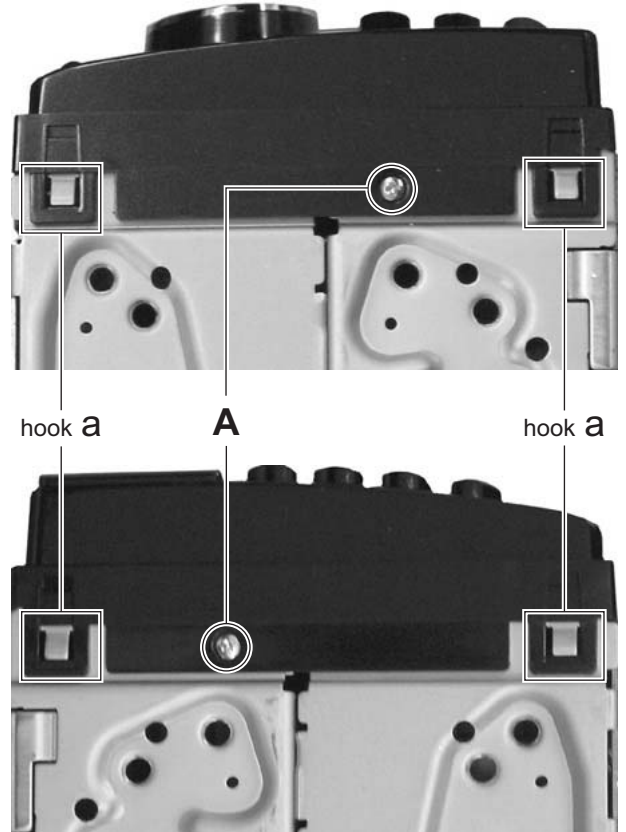


Fig.1

3.1.2 Removing the HEAT SINK (See Fig.2)

- (1) Remove the five screws **B** and one screw **C** attaching the HEAT SINK.

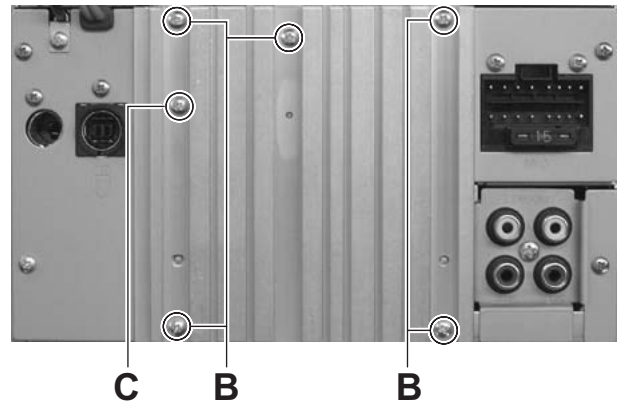


Fig.2

3.1.3 Removing the REAR BRACKET (See Fig.3)

- (1) Remove the seven screws **D**, two screws **E** and one screw **F** attaching the REAR BRACKET.

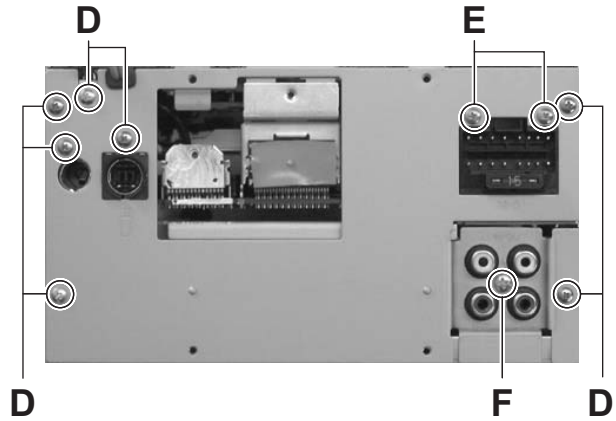


Fig.3

3.1.4 Removing the BOTTOM CHASSIS assembly (See Fig.4)

- (1) Remove the four screws **G** attaching the BOTTOM CHASSIS assembly.



Fig.4

3.1.5 Removing the FUNC BOARD assembly (See Fig.5)

- (1) Remove the one screw **H** attaching the FUNC BOARD assembly.
- (2) Disconnect the connector wire from MAIN BOARD assembly connected to connector [CN322](#) of the FUNC BOARD assembly.
- (3) Straighten hook **b** attaching the FUNC BOARD assembly.

3.1.6 Removing the MIDDLE CHASSIS (See Fig.5)

- (1) Remove the four screws **J** attaching the MIDDLE CHASSIS.
- (2) Disconnect the connector [CN501](#) of the main board on the MIDDLE CHASSIS from the CD mechanism assembly in an upward direction.

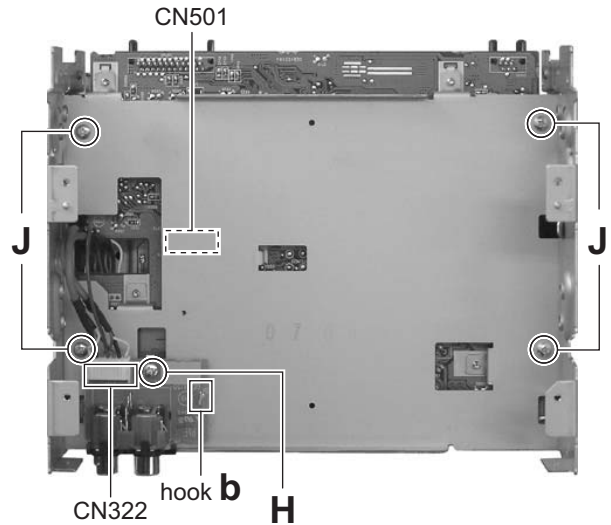


Fig.5

3.1.7 Removing the MAIN BOARD assembly (See Fig.6)

- (1) Remove the four screws **K** attaching the MAIN BOARD assembly.

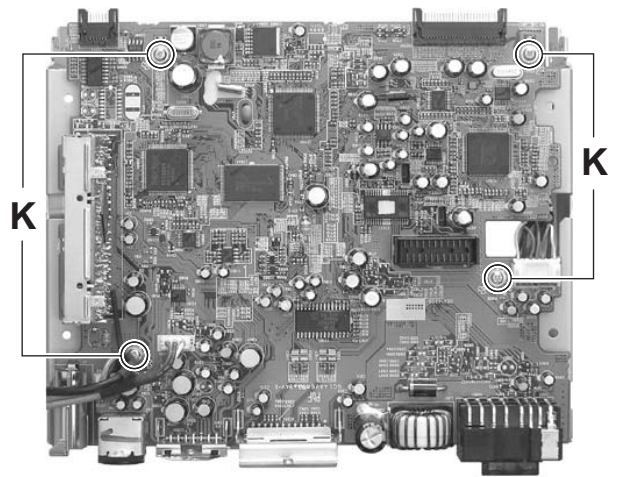


Fig.6

3.1.8 Removing the CD MECHANISM assembly (See Fig.7)

- (1) Remove the three screws **L** attaching the CD MECHANISM assembly.

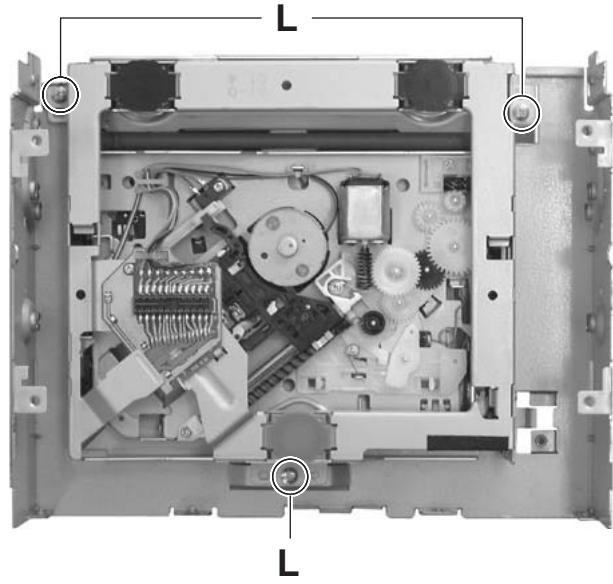


Fig.7

3.1.9 Removing the SWITCH BOARD assembly (See Fig.8)

- (1) Remove the volume knob from the front side of the FRONT PANEL assembly.
- (2) Remove the thirteen screws **M** and two screws **N** attaching the SWITCH BOARD assembly.

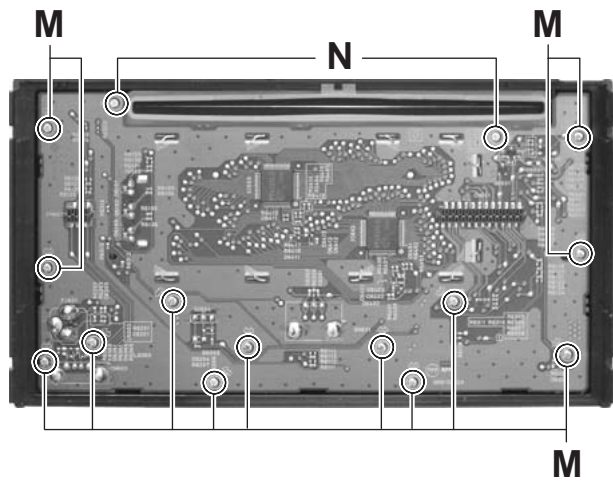


Fig.8

3.2 CD mechanism assembly

For CD mechanism, please refer the MECHANISM MANUAL TN2007-1010 ([No.MY005](#) and [No.MY005B](#)).

SECTION 4 ADJUSTMENT

4.1 Adjustment method

4.1.1 Test instruments required for adjustment

- (1) Digital oscilloscope (100MHz)
- (2) Electric voltmeter
- (3) Digital tester
- (4) Tracking offset meter
- (5) Test Disc JVC :CTS-1000
- (6) Extension cable for check
EXTSH002-22P × 1

4.1.2 Standard measuring conditions

Power supply voltage : DC14.4V(11 to 16V)
Load impedance : 20K.(2 Speakers connection)
Output Level : Line out 2.5V (Vol. MAX)

4.1.3 Standard volume position

Balance and Bass & Treble volume : Indication "0"
Loudness : OFF

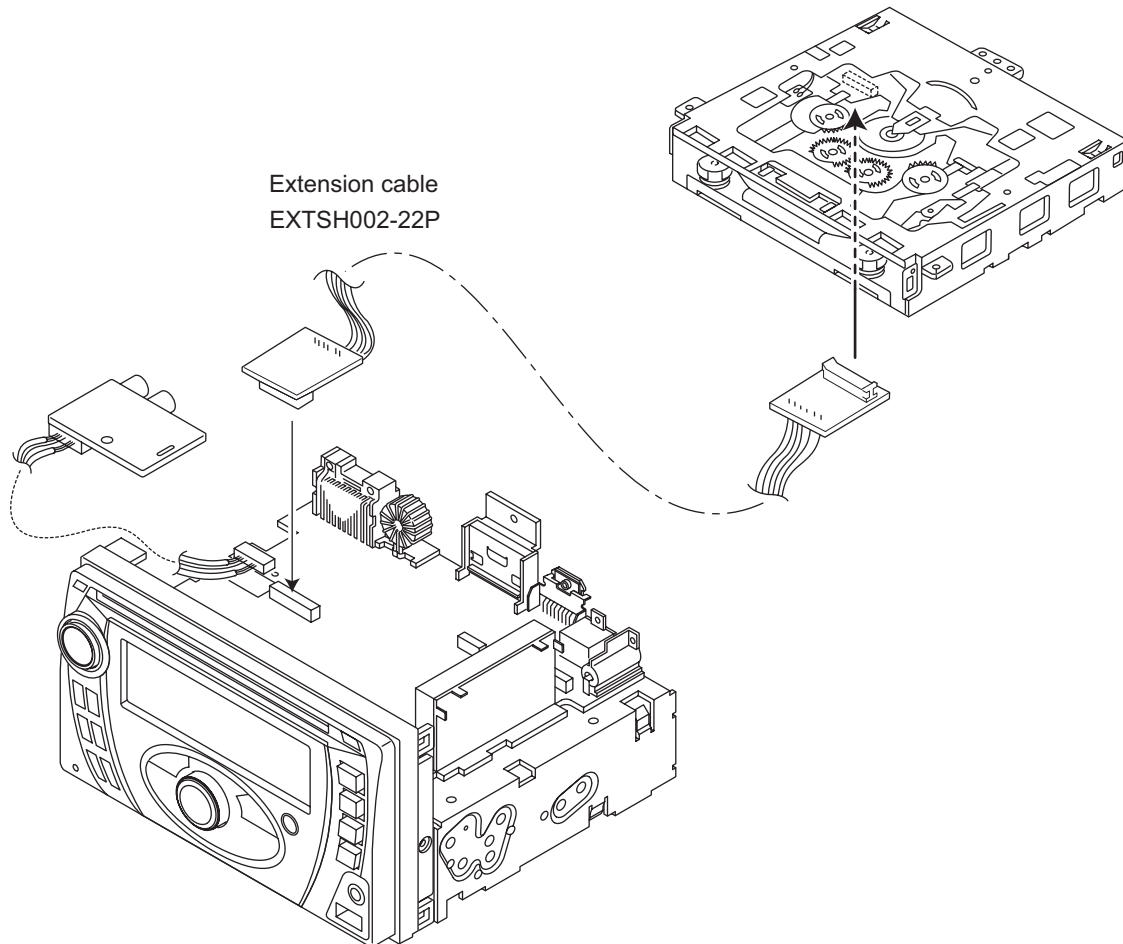
4.1.4 Dummy load

Exclusive dummy load should be used for AM, and FM. For FM dummy load, there is a loss of 6dB between SSG output and antenna input. The loss of 6dB need not be considered since direct reading of figures are applied in this working standard.

4.1.5 How to connect the extension cable for adjusting

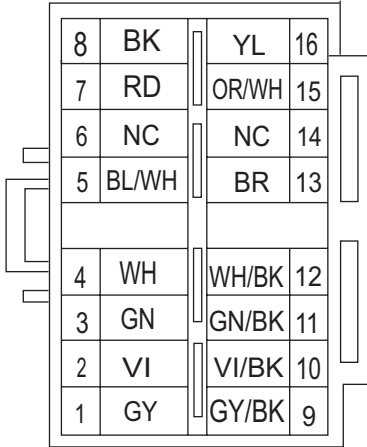
Caution:

Be sure to attach the heat sink and rear bracket onto the power amplifier IC and regulator IC respectively, before supply the power. If voltage is applied without attaching these parts, the power amplifier IC and regulator IC will be destroyed by heat.

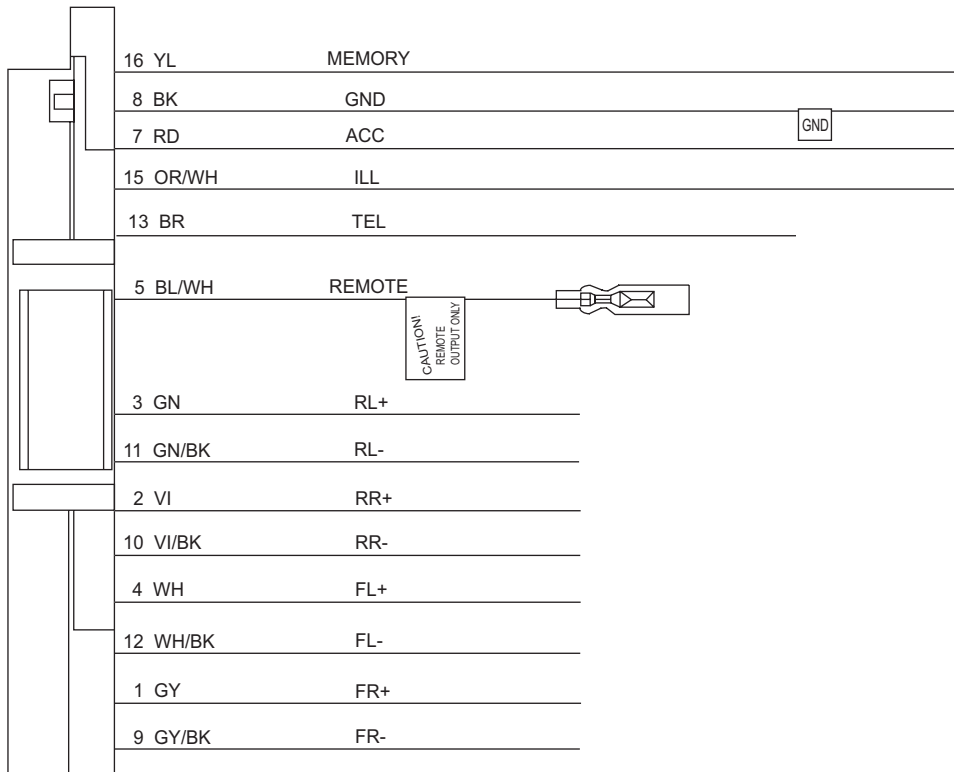


SECTION 5 TROUBLESHOOTING

5.1 16 PIN CORD DIAGRAM (for KW-XG700)

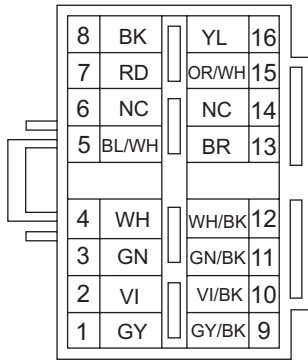


BK	Black	GN	Green
RD	Red	VI	Violet
BL	Blue	GY	Gray
WH	White	YL	Yellow
BR	Brown	OR	Orange

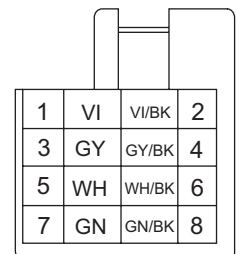
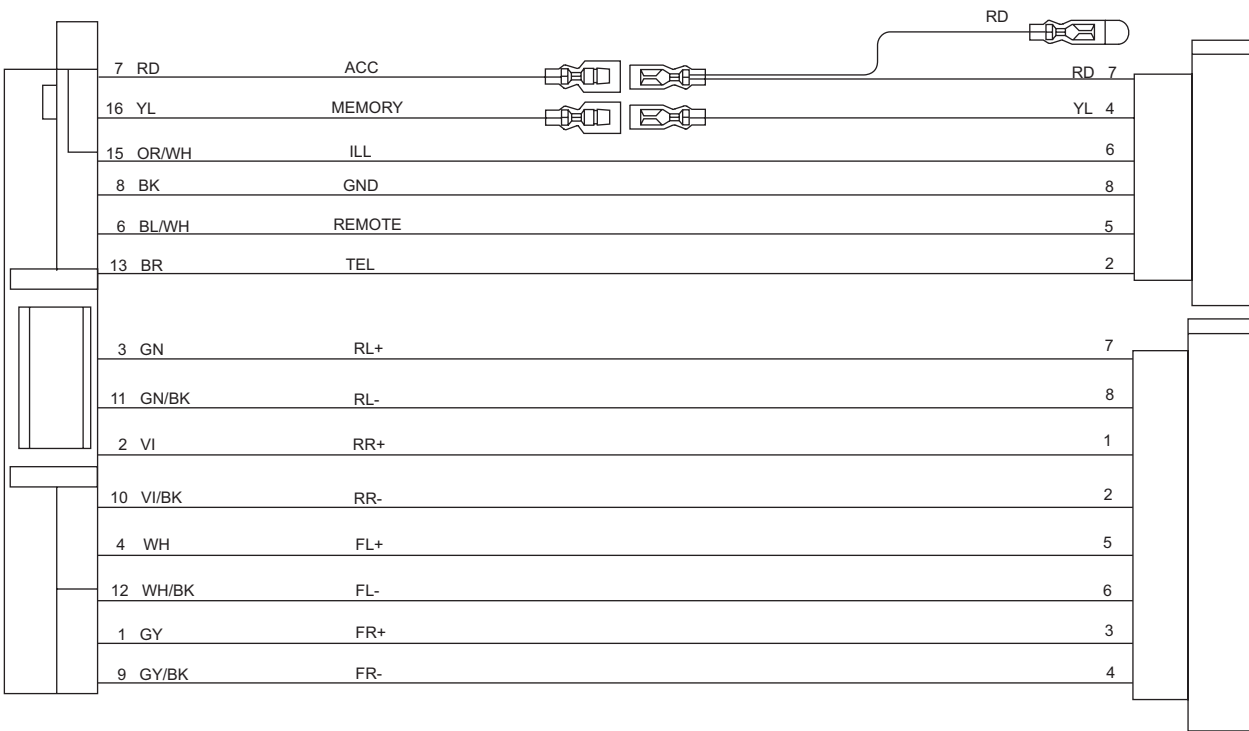
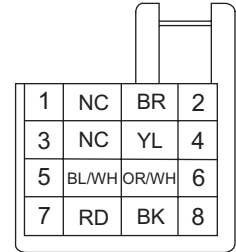


RR	Rear Right	REMOTE	Remote out
FR	Front Right	ACC	ACC Line
FL	Front Left	MEMORY	Memory Backup Battery +
RL	Rear Left	GND	Ground
TEL	Telephone muting	ILL	Illuminations Control

5.2 16 PIN CORD DIAGRAM (for KW-XG701, KW-XG707)

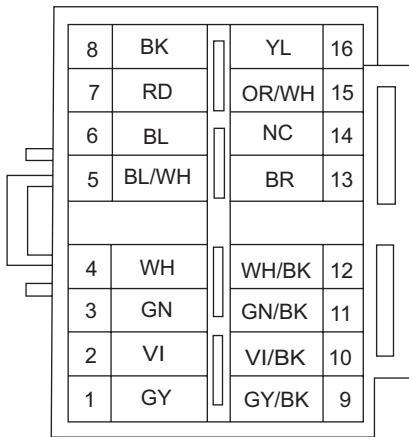


BK	Black	GN	Green
RD	Red	VI	Violet
BL	Blue	GY	Gray
WH	White	YL	Yellow
BR	Brown	OR	Orange

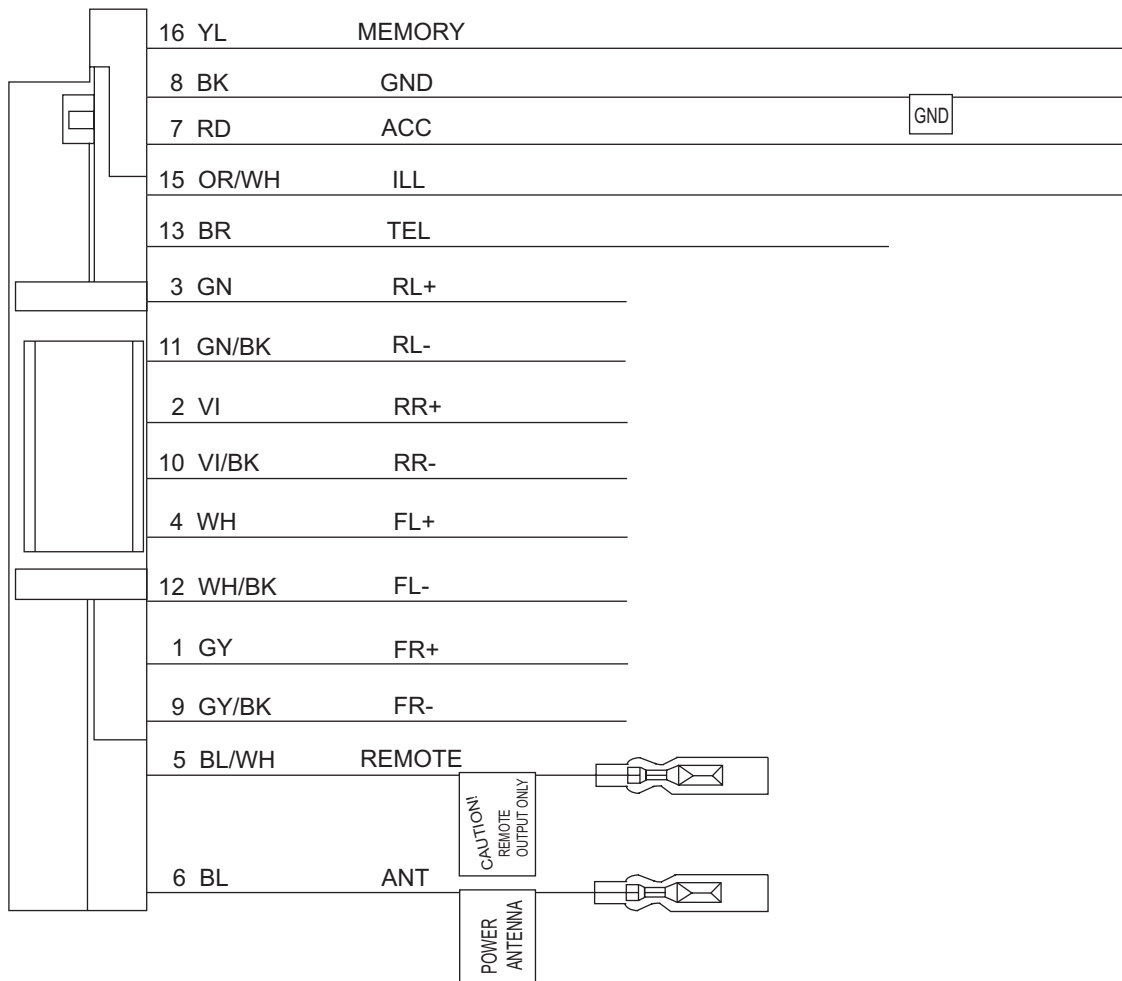


RR	Rear Right	ANT	Auto Antenna
FR	Front Right	ACC	ACC Line
FL	Front Left	TEL	Telephone Muting
RL	Rear Left	GND	Ground
REMOTE	Remote	MEMORY	Memory Backup Battery+
ILL	Illuminations Control		

5.3 16 PIN CORD DIAGRAM (for KW-XG-704, KW-XG705, KW-XG706)

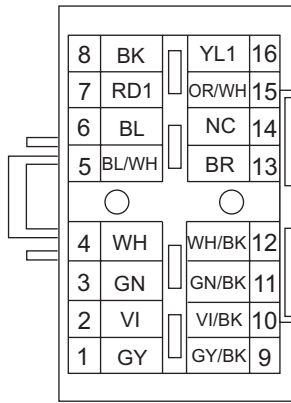


BK	Black	GN	Green
RD	Red	VI	Violet
BL	Blue	GY	Gray
WH	White	YL	Yellow
BR	Brown	OR	Orange

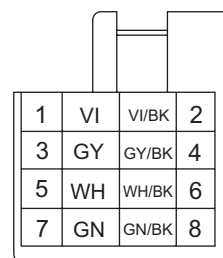
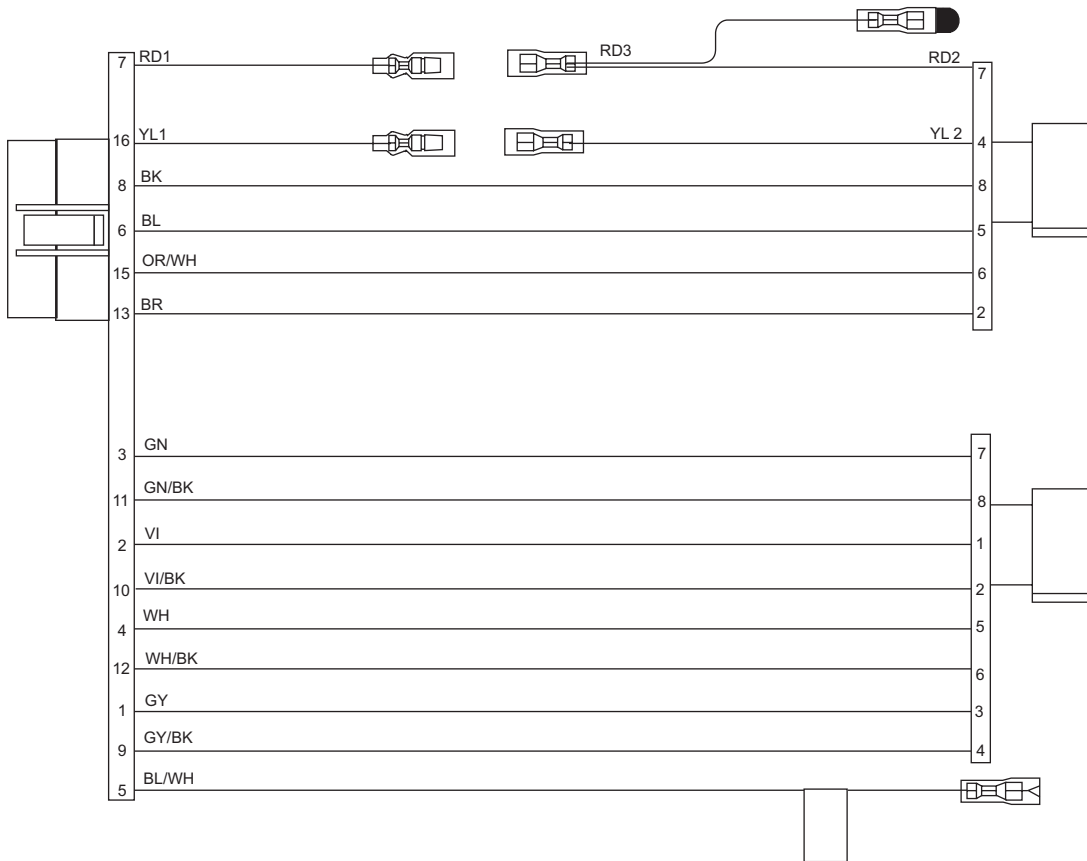
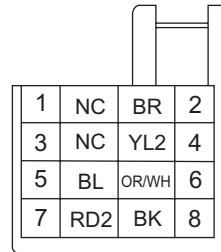


RR	Rear Right	ANT	Auto Antenna
FR	Front Right	ACC	ACC Line
FL	Front Left	ILL	Illuminations Control
RL	Rear Left	GND	Ground
REMOTE	Remote out	MEMORY	Memory Backup Battery+
TEL	Telephone muting		

5.4 16 PIN CORD DIAGRAM (for KW-XG708)



BK	Black	GN	Green
RD	Red	VI	Violet
BL	Blue	GY	Gray
WH	White	YL	Yellow
BR	Brown	OR	Orange





JVC

Victor company of Japan, Limited
Mobile Entertainment Business Group Mobile Entertainment Category 10-1,1chome,Ohwatari-machi,Maebashi-city,371-8543,Japan

(No.MA346)



Printed in Japan
VPT

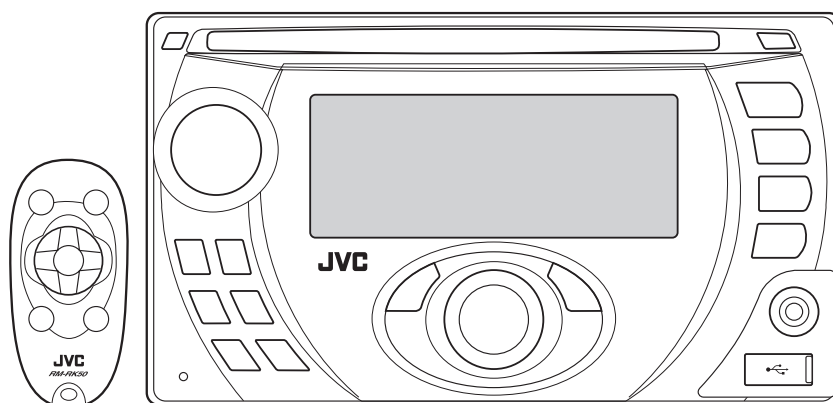
JVC

SCHEMATIC DIAGRAMS

CD RECEIVER

**KW-XG700J, KW-XG701E, KW-XG701EX
KW-XG701EY, KW-XG701EU, KW-XG704UI
KW-XG705U, KW-XG705UN, KW-XG705UH
KW-XG706U, KW-XG706UN, KW-XG706UH
KW-XG707EE, KW-XG708UF**

CD-ROM No.SML200706



KW-XG700



KW-XG700

WMA MP3



KW-XG701
KW-XG707

* Please refer to the mechanism manual (model TN2007-1010, No.MY005, MY005B) for the CD mechanism.

Lead free solder used in the board (material : Sn-Ag-Cu, melting point : 219 Centigrade)

Lead free solder used in the board (material : Sn-Cu, melting point : 230 Centigrade)

Contents

Block diagram	2-1
Standard schematic diagrams	2-3
Printed circuit boards	2-13 to 17

Safety precaution



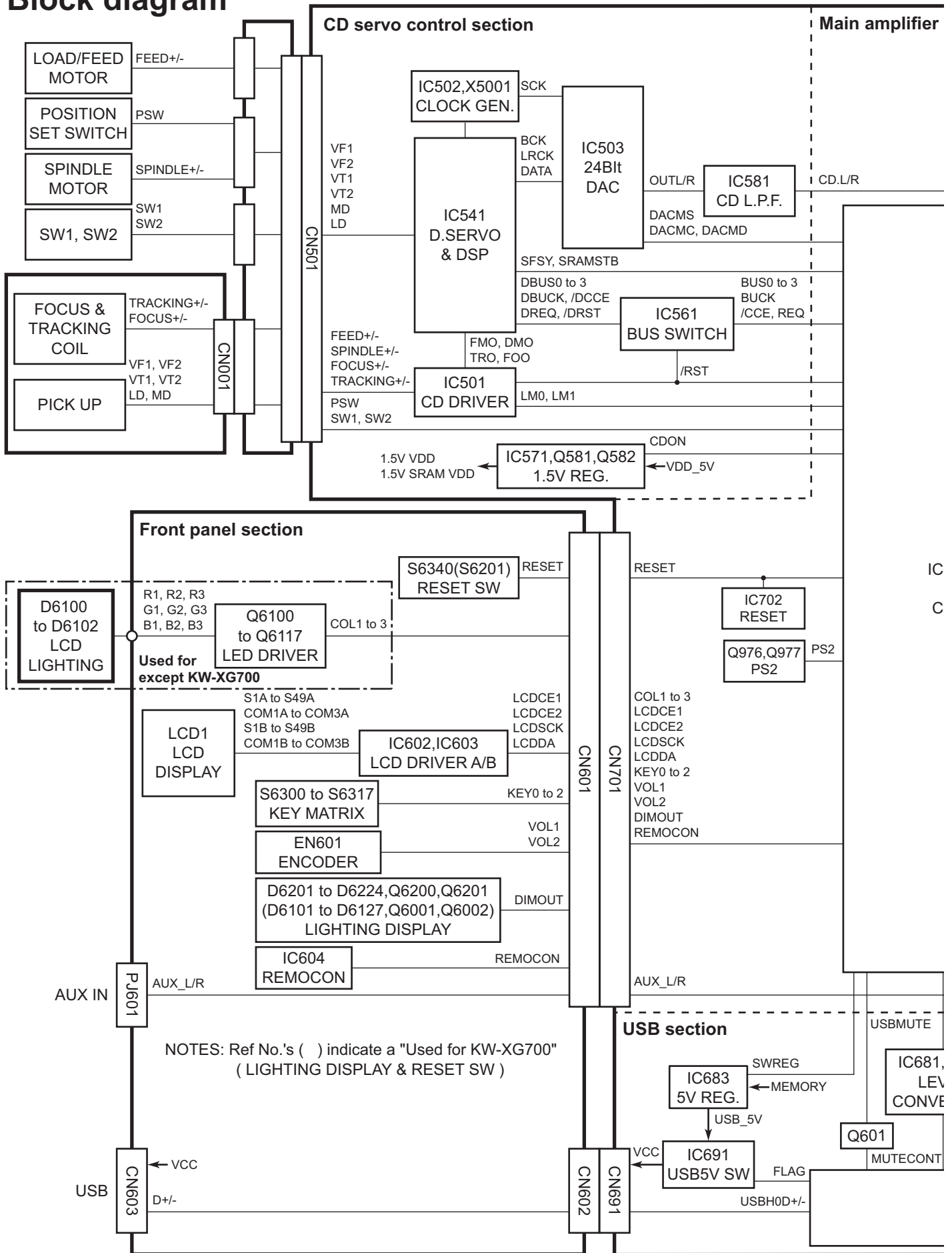
CAUTION Burrs formed during molding may be left over on some parts of the chassis. Therefore, pay attention to such burrs in the case of performing repair of this system.



CAUTION Please use enough caution not to see the beam directly or touch it in case of an adjustment or operation check.

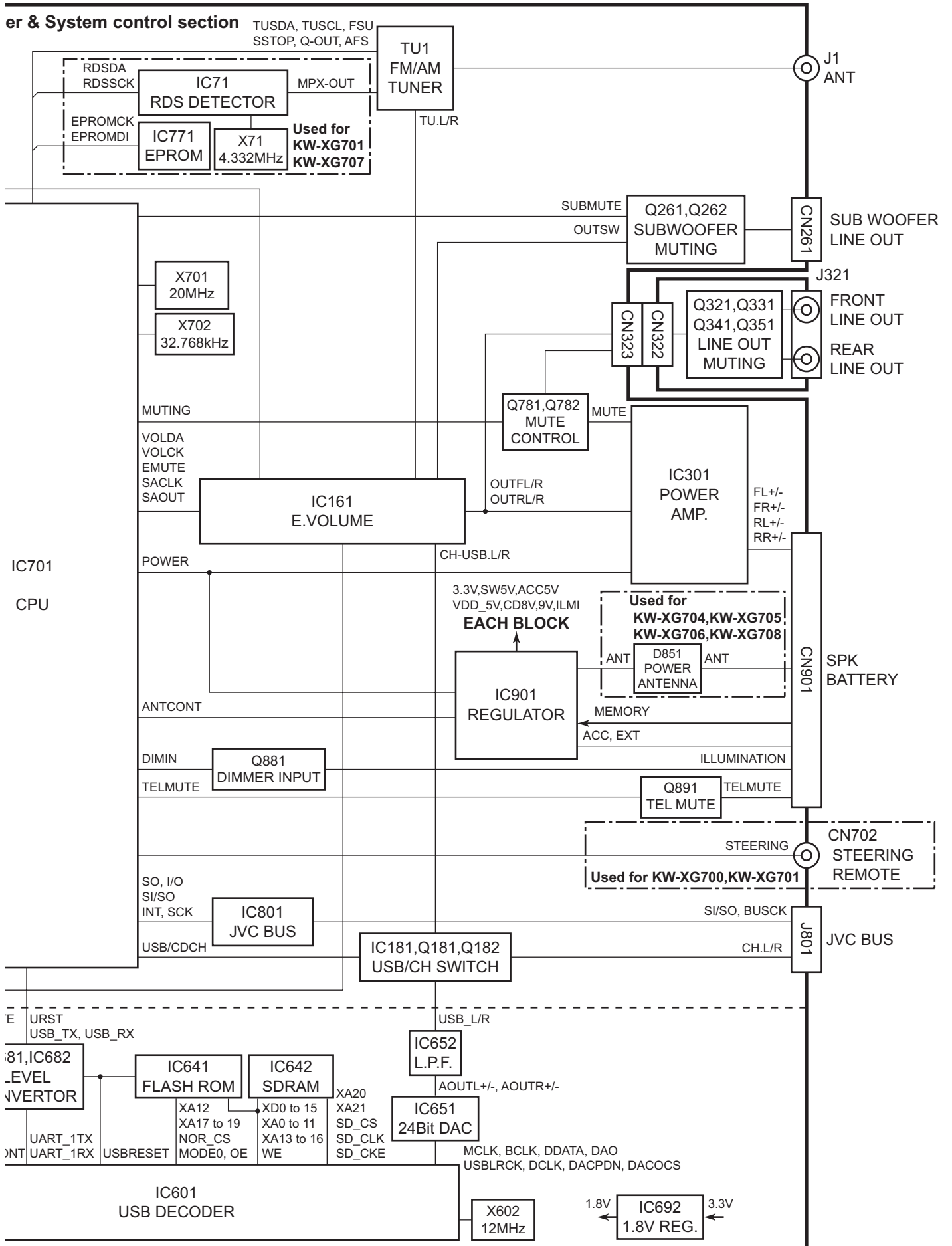
< MEMO >

Block diagram



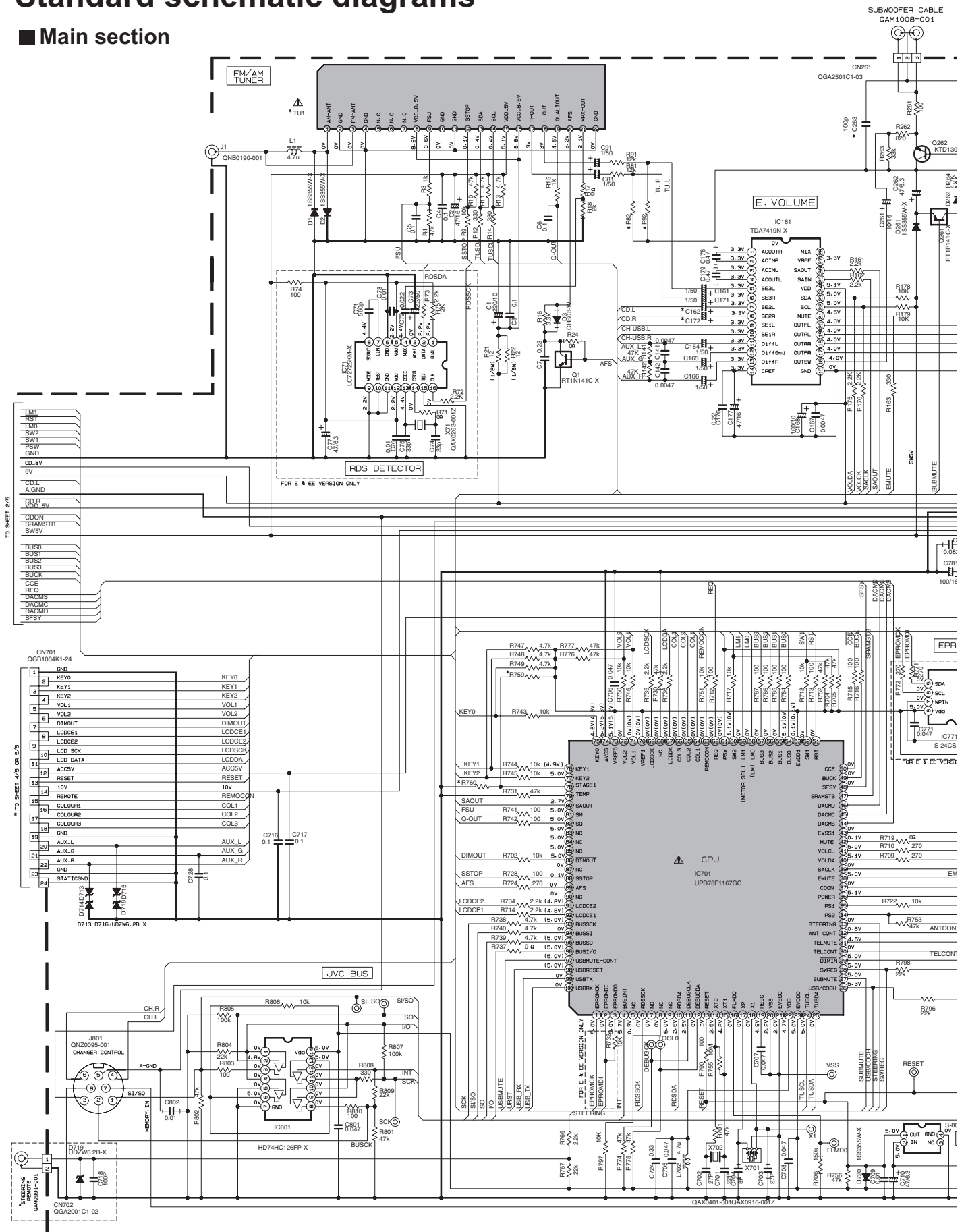
er & System control section

TUSDA, TUSCL, FSU
SSTOP, Q-OUT, AFS

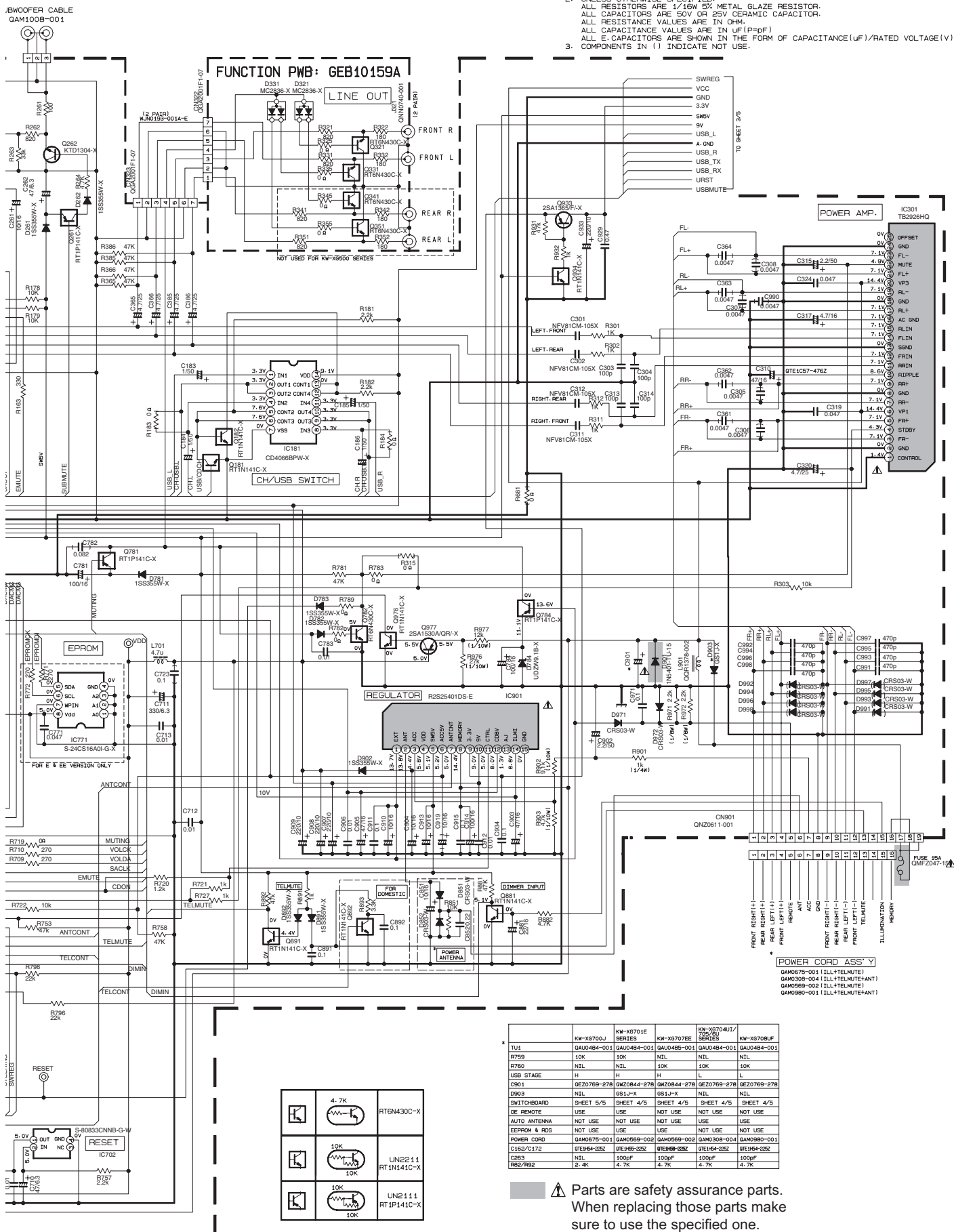


Standard schematic diagrams

Main section



- NOTES 1. VOLTAGES ARE DC-MEASURED WITH A DIGITAL VOLT METER WITHOUT INPUT SIGNAL CONDITION---FM MODE. () AM MODE. () CD MODE.
 2. UNLESS OTHERWISE SPECIFIED, ALL RESISTORS ARE 1/16W 5% METAL GLAZE RESISTOR. ALL CAPACITORS ARE 50V OR 25V CERAMIC CAPACITOR. ALL RESISTANCE VALUES ARE IN OHM. ALL CAPACITANCE VALUES ARE IN uF (P=DF). ALL CAPACITORS ARE SHOWN IN THE FORM OF CAPACITANCE(uF)/RATED VOLTAGE(V).
 3. COMPONENTS IN () INDICATE NOT USE.



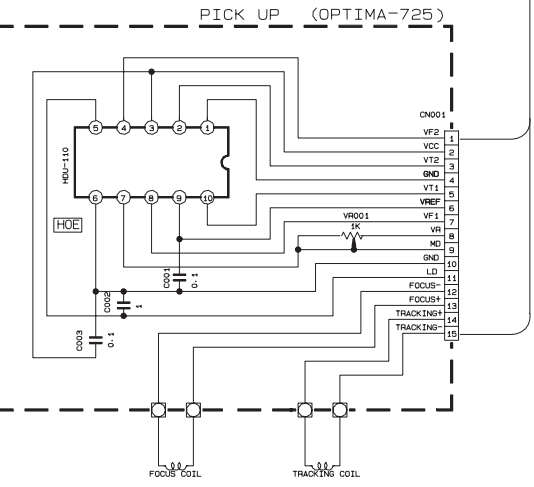
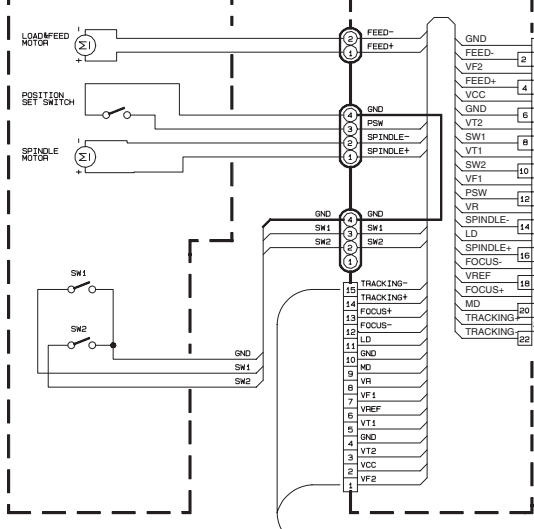
	KW-X6700J	KW-X6701E SERIES	KW-X6707EE	KW-X6704UJ/70V SERIES	KW-X6708UF
R11	GAU0484-001	GAU0484-001	GAU0485-001	GAU0484-001	GAU0484-001
R759	10K	10K	NIL	NIL	NIL
R760	NIL	NIL	10K	10K	10K
USB STAGE	H	H	H	L	L
C901	DE20769-278	GNZ0844-278	GNZ0844-278	GE20769-278	DE20769-278
D903	NIL	6S1J-X	6S1J-X	NIL	NIL
SWITCHBOARD	SHEET 5/5	SHEET 4/5	SHEET 4/5	SHEET 4/5	SHEET 4/5
DC REMOTE	USE	USE	NOT USE	NOT USE	NOT USE
AUTO ANTENNA	NOT USE	NOT USE	NOT USE	USE	NOT USE
EEPROM & RDS	NOT USE	USE	USE	NOT USE	NOT USE
POWER CORD	GAM0675-001	GAM0569-002	GAM0569-002	GAM0308-004	GAM0390-001
C162/C172	GTEH64-252	GTEH64-252	GTEH64-252	GTEH64-252	GTEH64-252
C283	NIL	100PF	100PF	100PF	100PF
MS2762	3-4K	4-7K	4-7K	4-7K	4-7K

Parts are safety assurance parts. When replacing those parts make sure to use the specified one.

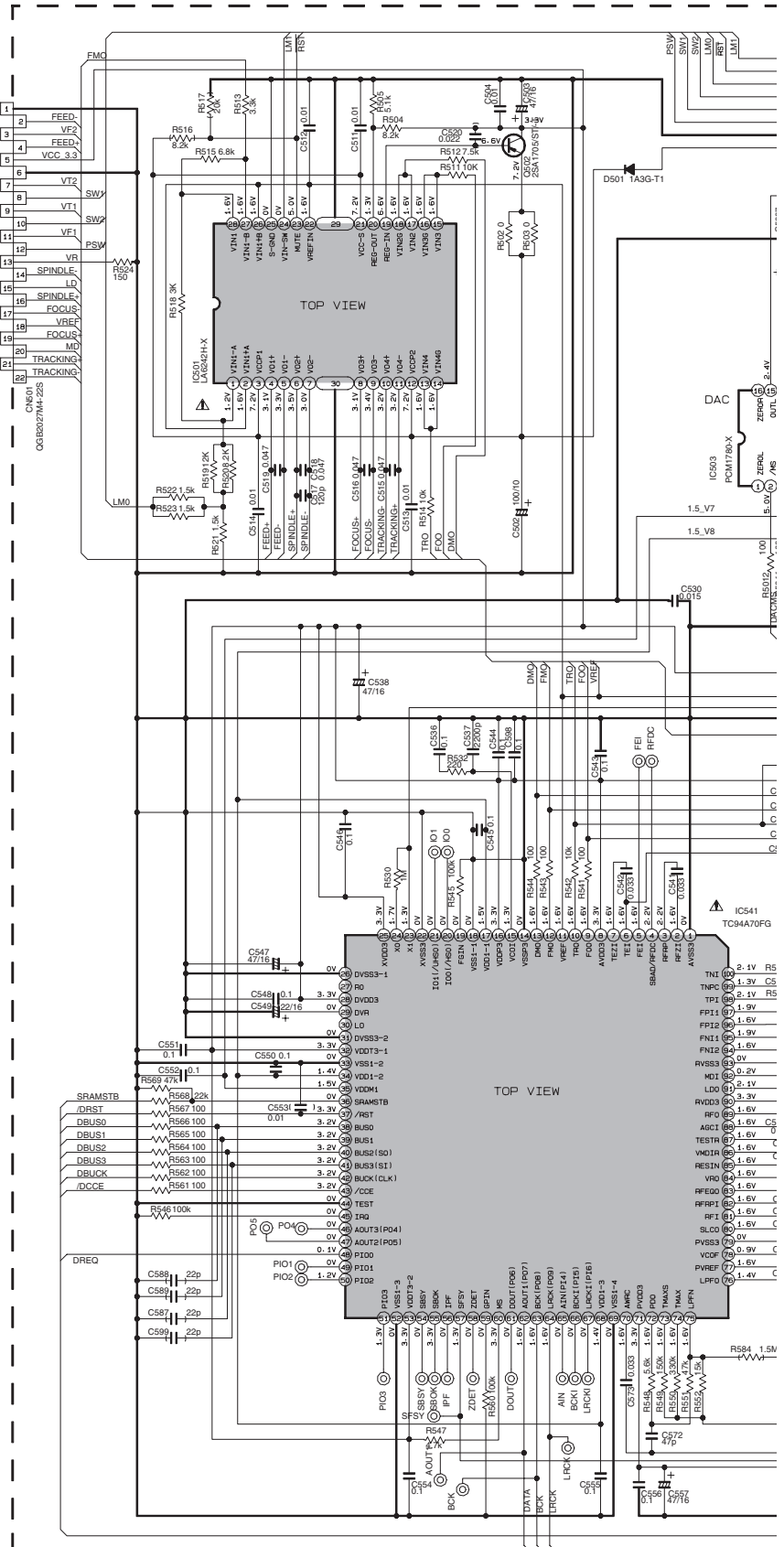
	4.7K	RT6N430C-X
	10K	UN2211
	10K	RT1N141C-X
	10K	UN2111
	10K	RT1P141C-X

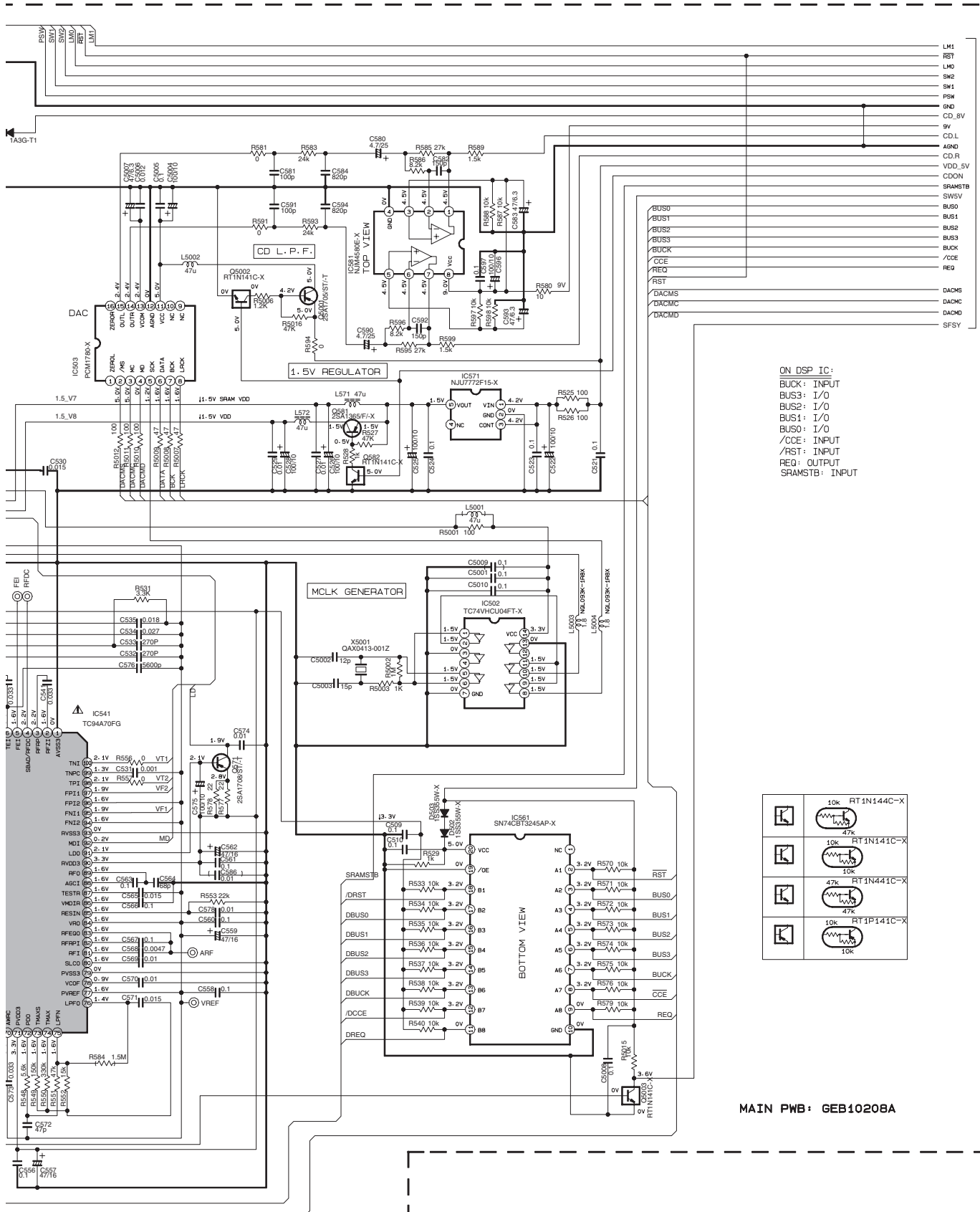
CD section

MECHA: QAL0812-001



- NOTES**
1. VOLTAGES ARE DC-MEASURED WITH A DIGITAL VOLT METER WITHOUT INPUT SIGNAL. CONDITION—CD MODE.
 2. UNLESS OTHERWISE SPECIFIED:
ALL RESISTORS ARE 1/16W±5% METAL GLAZE RESISTOR
ALL CAPACITORS ARE 50V OR 25V CERAMIC CAPACITOR.
ALL RESISTANCE VALUES ARE IN OHM.
ALL CAPACITANCE VALUES ARE IN nF (pF)
ALL C. CAPACITORS ARE SHOWN IN THE FORM OF CAPACITANCE (UF/RATED VOLTAGE)V
MF — METALLIZED FILM CAPACITOR
 3. COMPONENTS IN () INDICATE NOT USE.





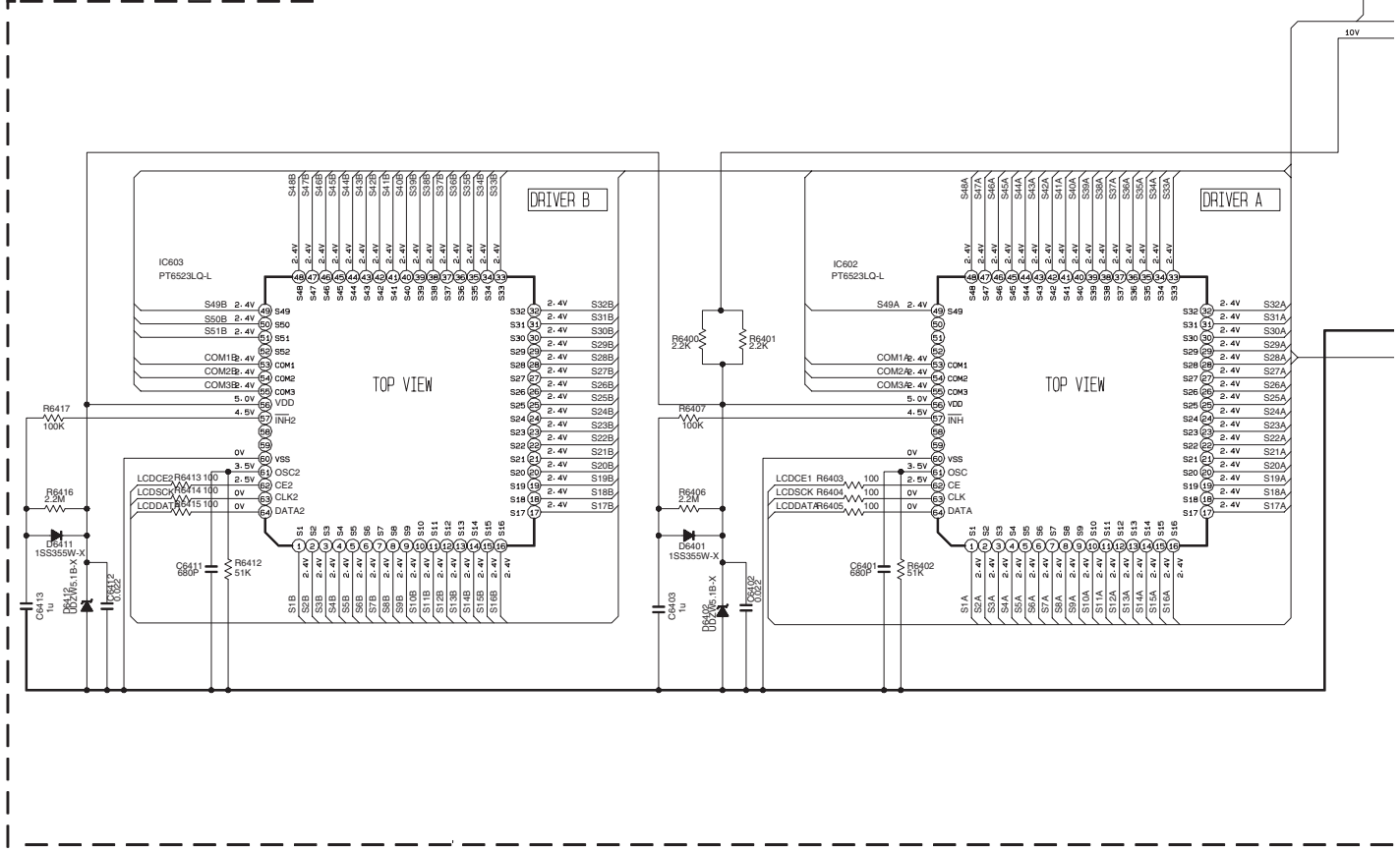
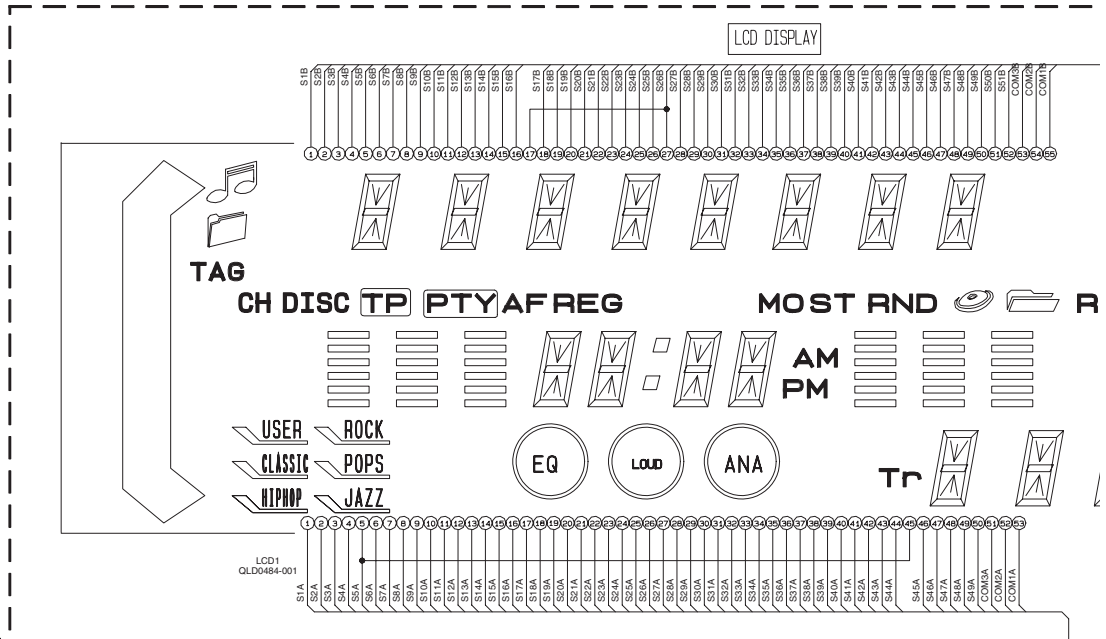
ON DSP IC:
 BUCK: INPUT
 BUS3: I/O
 BUS2: I/O
 BUS1: I/O
 BUS0: I/O
 /CCE: INPUT
 /RST: INPUT
 REQ: OUTPUT
 SRAMSTB: INPUT

	10k	RT1N144C-X
	47k	
	10k	RT1N141C-X
	10k	
	47k	RT1P141C-X
	10k	

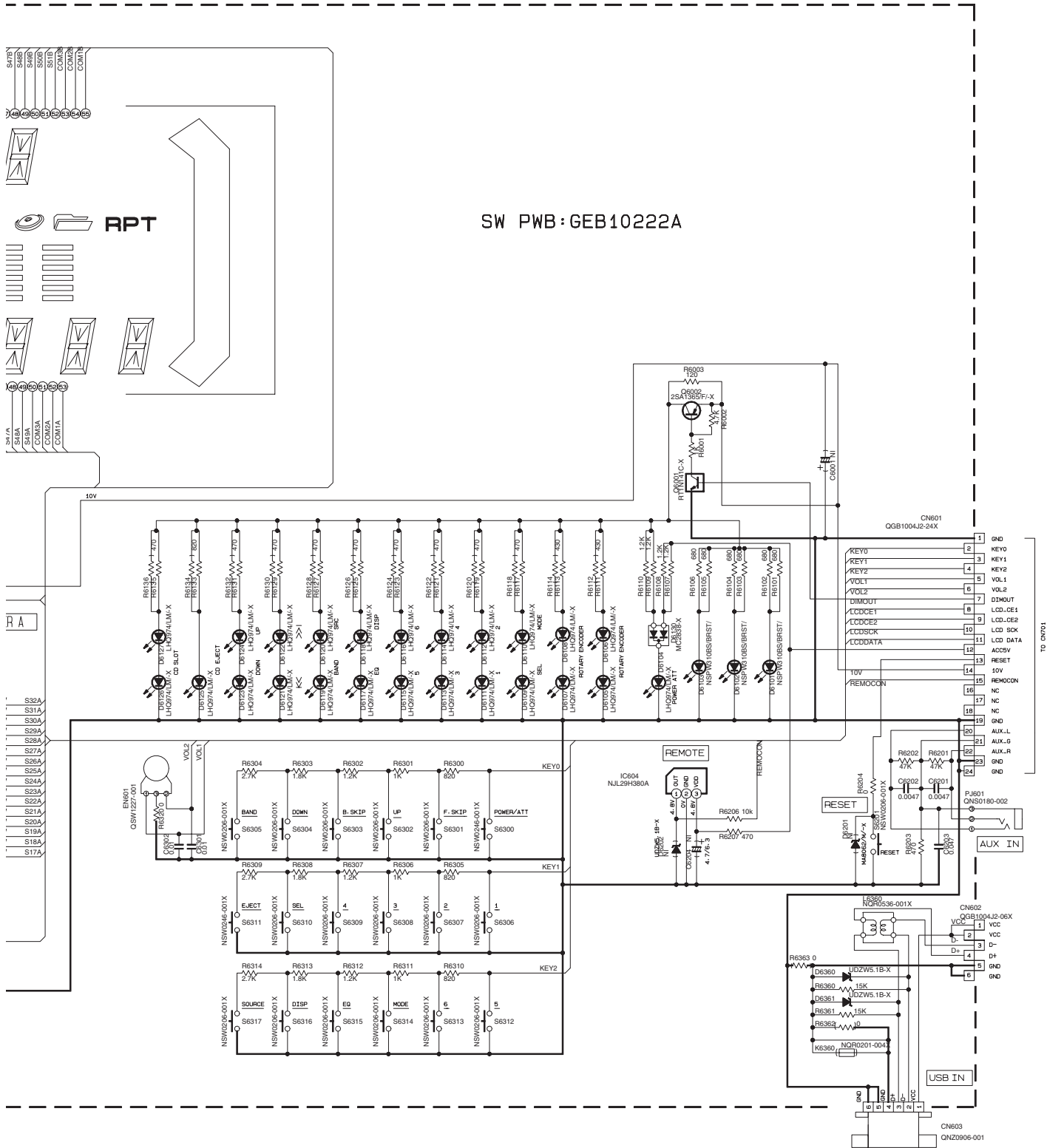
MAIN PWB: GE10208A

Parts are safety assurance parts.
 When replacing those parts make
 sure to use the specified one.

■ LCD and Key control section (for KW-XG700J)



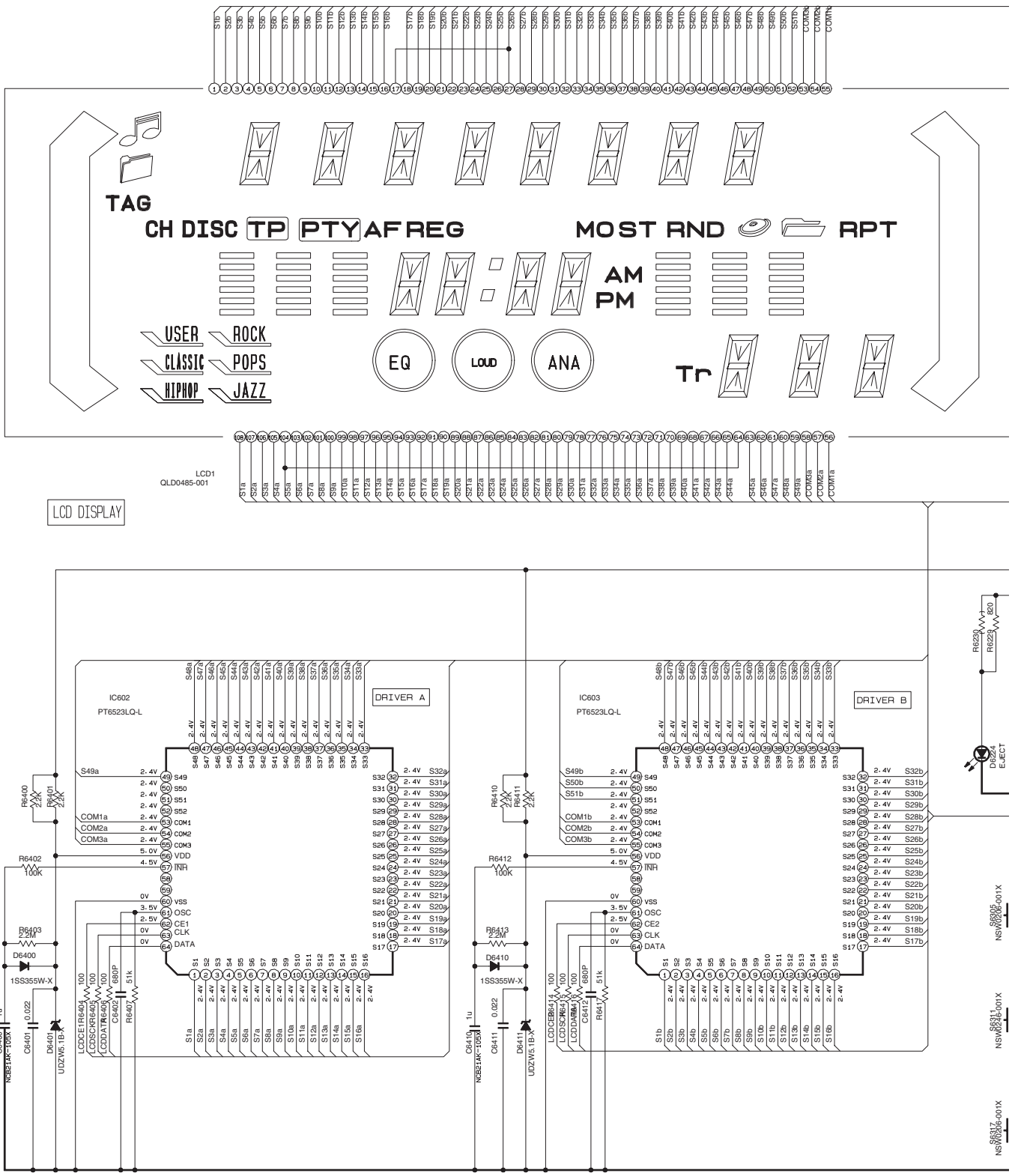
- NOTES**
- 1. VOLTAGES ARE DC CONDITION --- FN
 - 2. UNLESS OTHERWISE ALL RESISTORS ALL CAPACITORS ALL RESISTORS ALL CAPACITORS ALL E. CAPACITORS
 - 3. NI STANDS FOR N



SW PWB: GEB10222A

- NOTES**
- VOLTAGES ARE DC-MEASURED WITH A DIGITAL VOLT METER WITHOUT INPUT SIGNAL. CONDITION --- FM MODE, □ AM MODE, () CD MODE, () TAPE MODE.
 - UNLESS OTHERWISE SPECIFIED. ALL RESISTORS ARE 1/16W OR 1/10W OR 1/8W ±5% METAL GLAZE RESISTOR. ALL CAPACITORS ARE 50V OR 25V OR 16V CERAMIC CAPACITOR OR 50V MYLAR CAPACITOR. ALL RESISTANCE VALUES ARE IN OHM(Ω). ALL CAPACITANCE VALUES ARE IN pF(pF). ALL E. CAPACITORS ARE SHOWN IN THE FORM OF CAPACITANCE(μF)/RATED VOLTAGE (V).
 - NI STANDS FOR NOT MOUNTED PARTS

LCD and Key control section (except KW-XG700J)

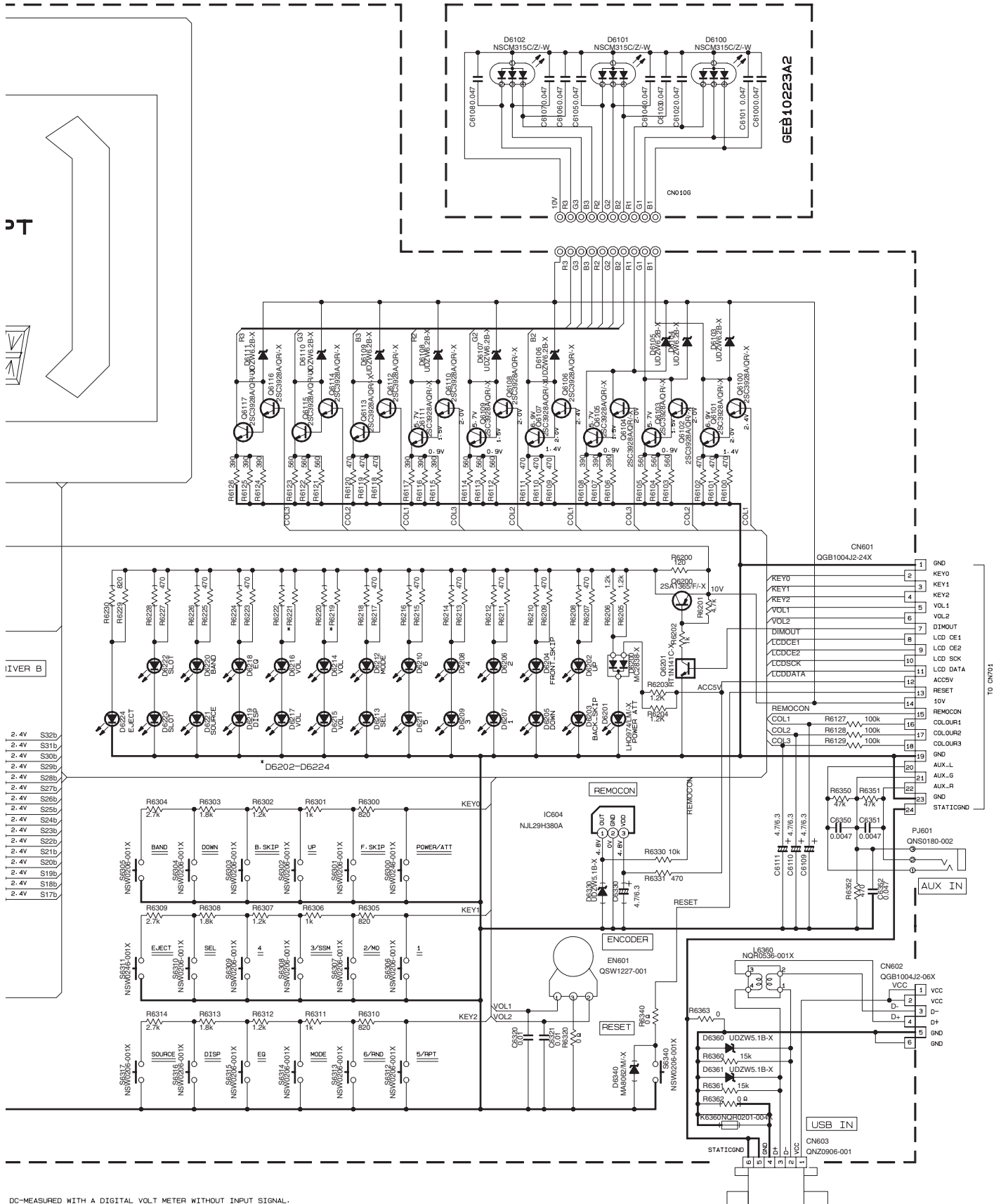


LCD DISPLAY

LCD1
QLD0485-001

SW PWB:GEB10223A1

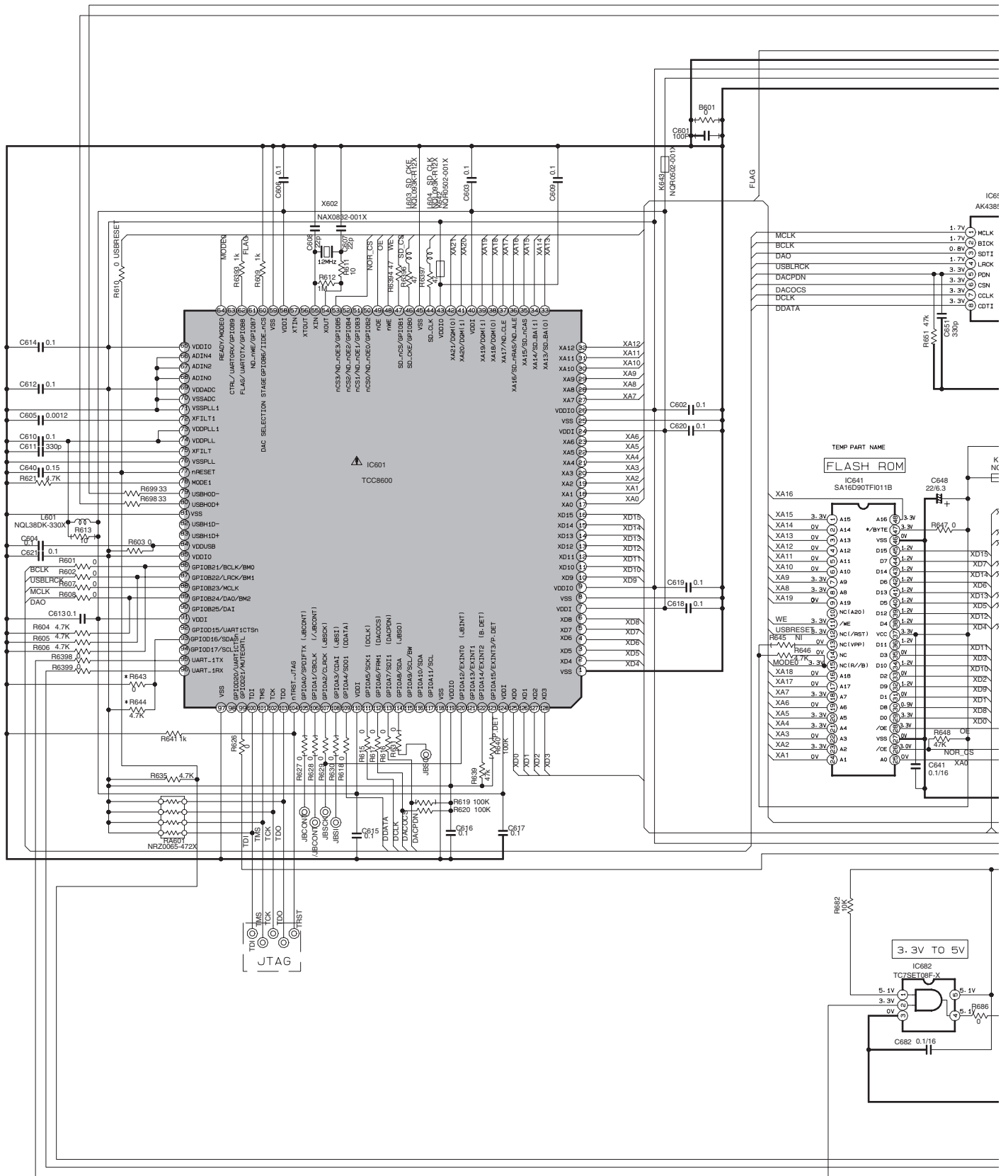
- NOTES**
- VOLTAGES ARE DC-MEASURED WITH A DIGITAL CONDITION --- FM MODE, □ AM MODE, () CI
 - UNLESS OTHERWISE SPECIFIED.
ALL RESISTORS ARE 1/16W OR 1/10W OR 1/8W
ALL CAPACITORS ARE 50V OR 25V OR 16V C
ALL RESISTANCE VALUES ARE IN OHM(Ω).
ALL CAPACITANCE VALUES ARE IN μF(μPpF)
ALL E. CAPACITORS ARE SHOWN IN THE FORM
 - NI STANDS FOR NOT MOUNTED PARTS

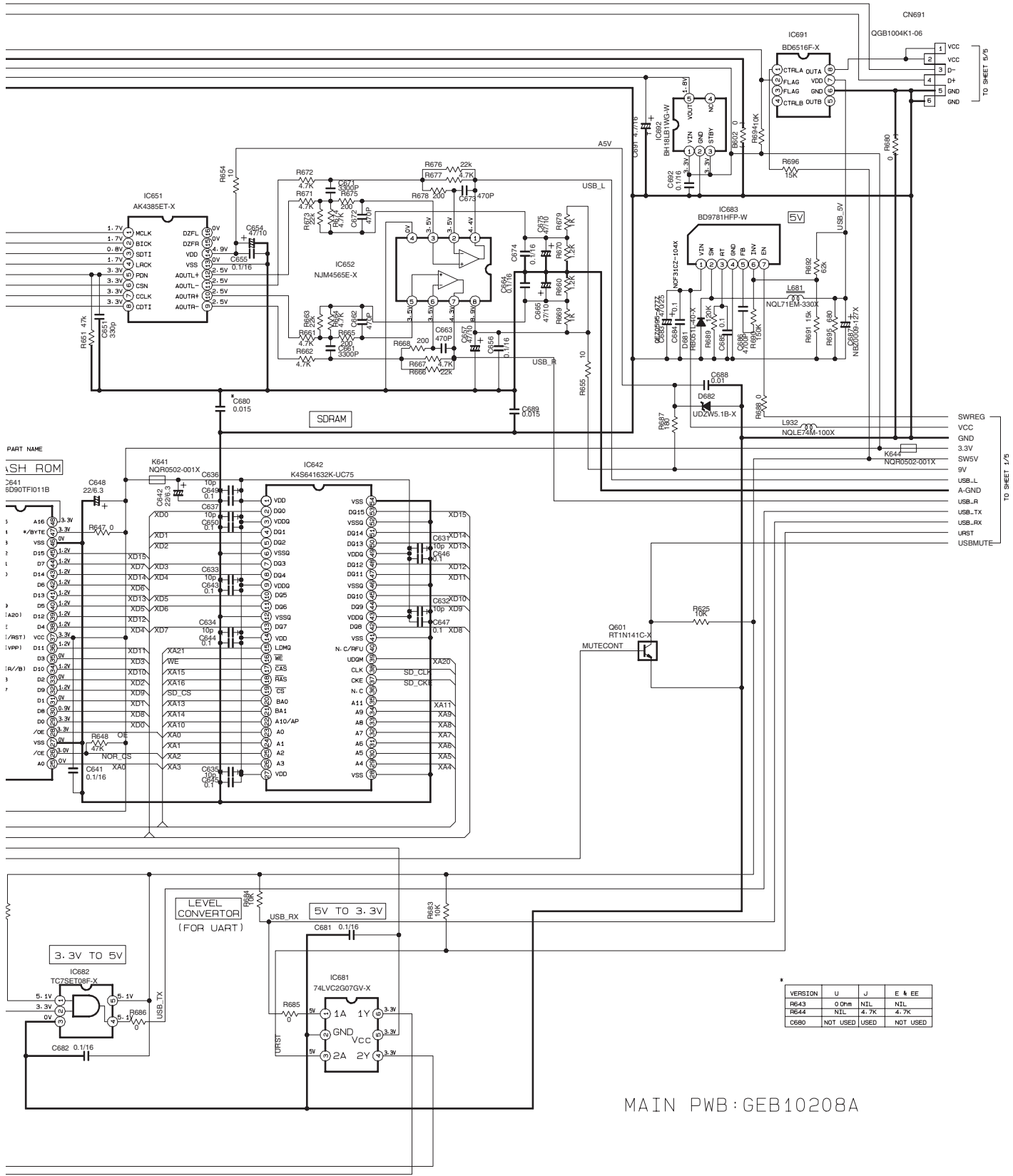


DC-MEASURED WITH A DIGITAL VOLT METER WITHOUT INPUT SIGNAL.
 - FM MODE: [] AM MODE: [] CD MODE: [] TAPE MODE: []
 WISE SPECIFIED.
 DRS ARE 1/16W OR 1/10W OR 1/8W ±5% METAL GLAZE RESISTOR.
 TORS ARE 50V OR 25V OR 16V CERAMIC CAPACITOR OR 50V MYLAR CAPACITOR.
 ANCE VALUES ARE IN OHM(Ω).
 TANCE VALUES ARE IN #F(±pF).
 CTORS ARE SHOWN IN THE FORM OF CAPACITANCE(μF)/RATED VOLTAGE (V).
 IR NOT MOUNTED PARTS

	KW-XG704UI KW-XG705U SERIES	KW-XG704IE
	KW-XG706UF KW-XG706U SERIES	KW-XG707EE
R6219 & R6221	430 Ω	470 Ω
D6202-D6224	LH9974/L/M/-X	LS9971/K/L/-X

USB section





NOTES

- VOLTAGES ARE DC-MEASURED WITH A DIGITAL VOLT METER WITHOUT INPUT SIGNAL. CONDITION — CD MODE.
- UNLESS OTHERWISE SPECIFIED.
 - ALL RESISTORS ARE 1/10W OR 1/8W OR 1/4W ±5% METAL GLAZE RESISTOR.
 - ALL CAPACITORS ARE 50V OR 25V OR 16V CERAMIC CAPACITOR OR 50V MYLAR CAPACITOR.
 - ALL RESISTANCE VALUES ARE IN OHM(Ω).
 - ALL CAPACITANCE VALUES ARE IN nF(p=pF).
 - ALL E. CAPACITORS ARE SHOWN IN THE FORM OF CAPACITANCE(μF)/RATED VOLTAGE (V).

⚠ Parts are safety assurance parts. When replacing those parts make sure to use the specified one.

MAIN PWB : GEB10208A

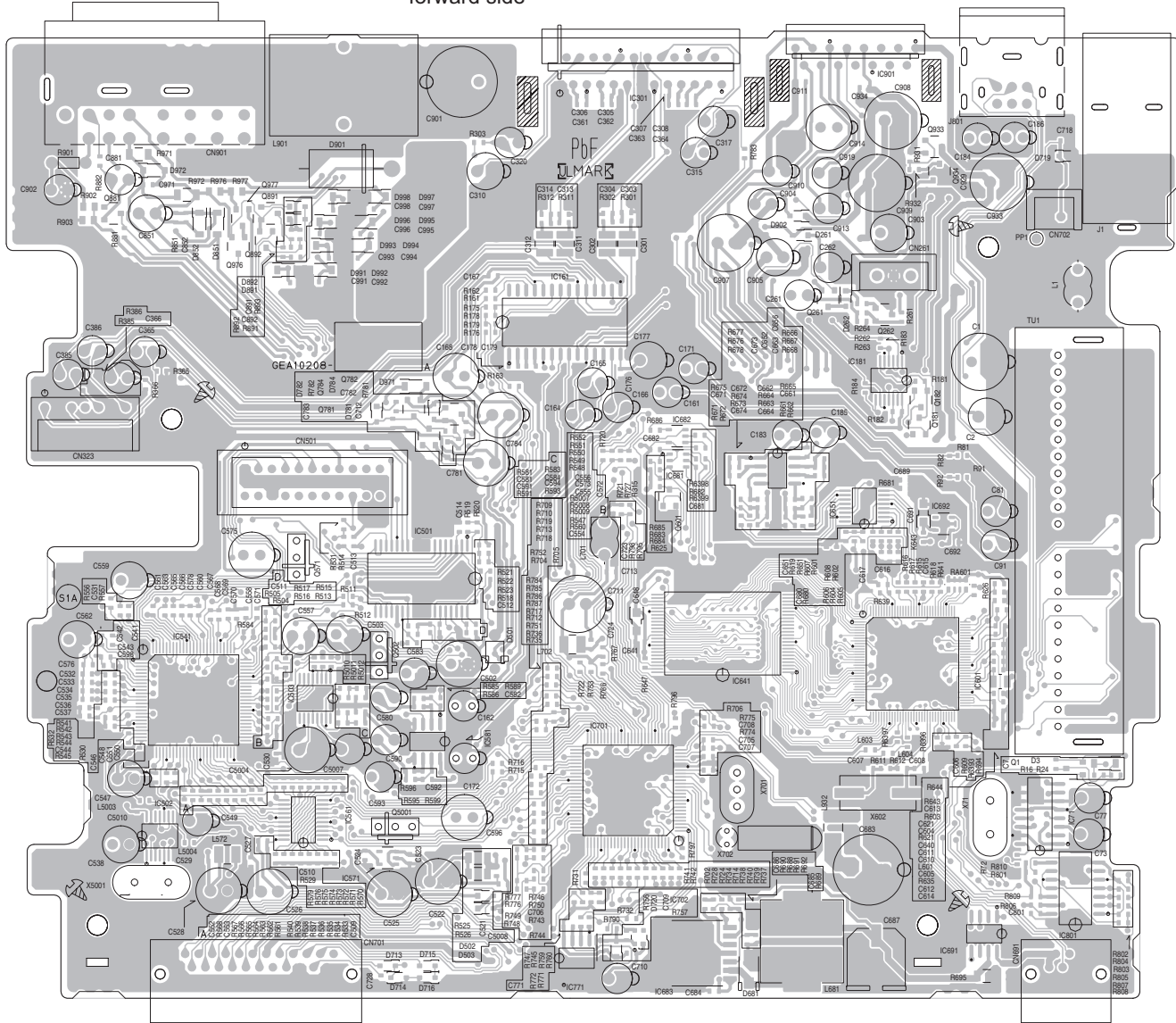
Printed circuit boards

■ Main board

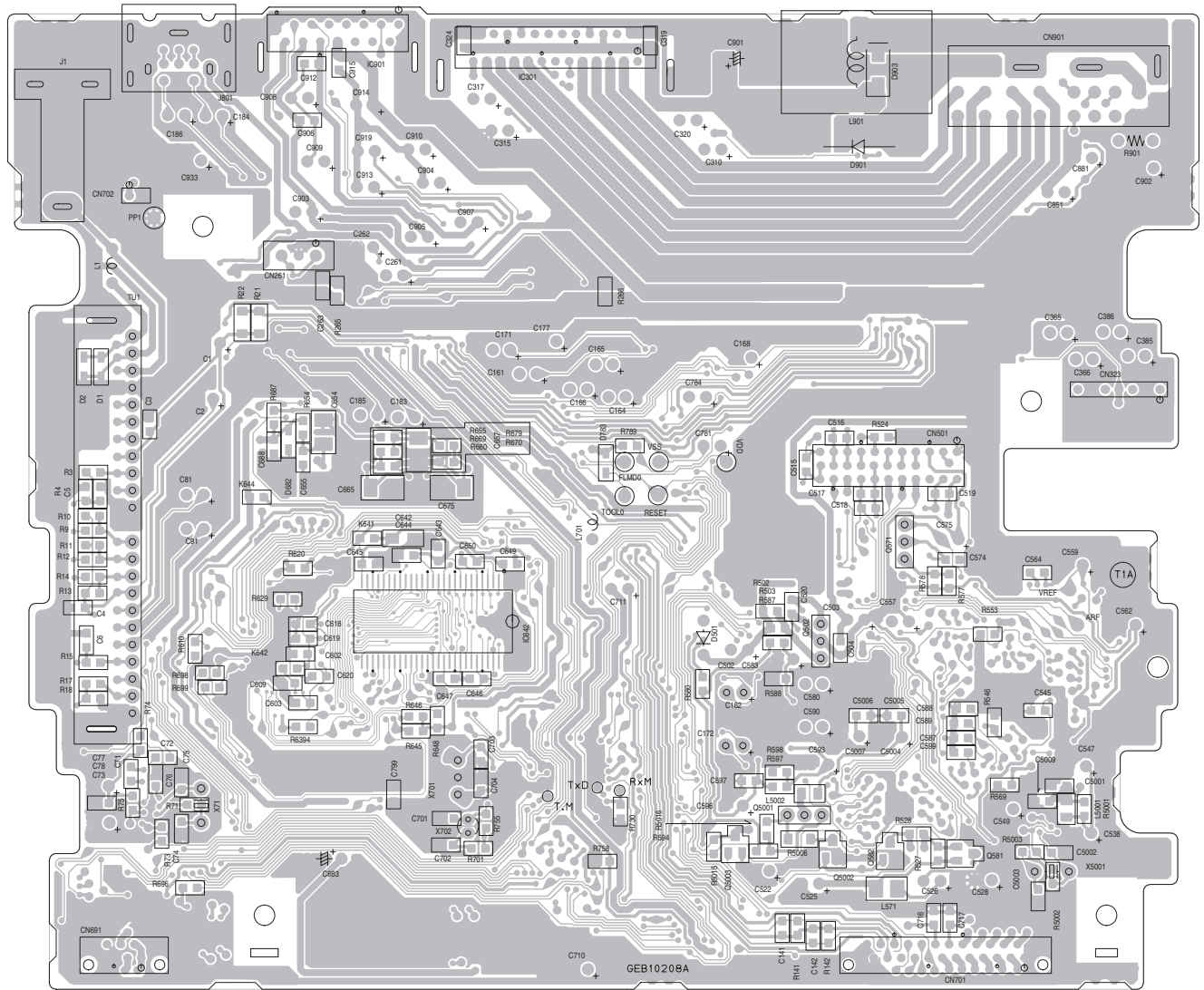
Lead free solder used in the board (material : Sn-Ag-Cu, melting point : 219 Centigrade)

Lead free solder used in the board (material : Sn-Cu, melting point : 230 Centigrade)

forward side



reverse side

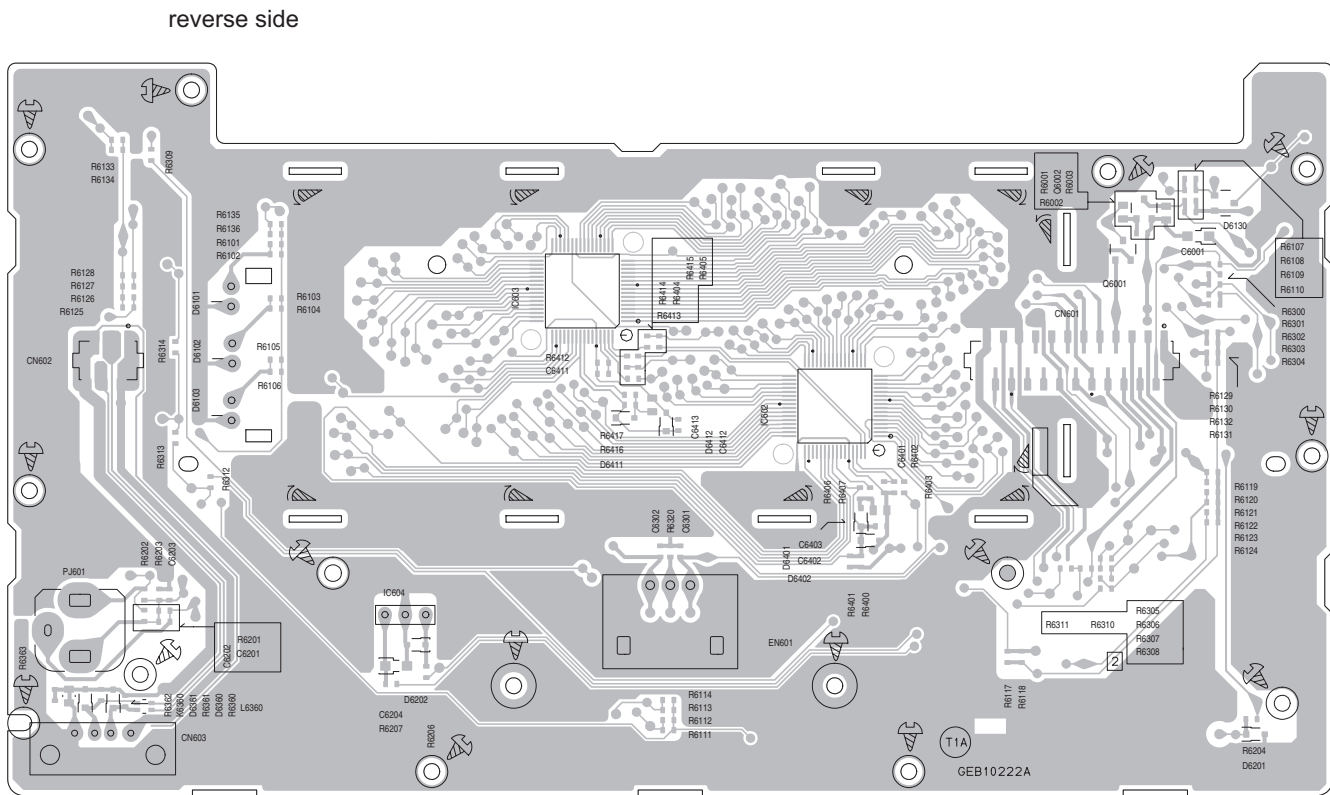
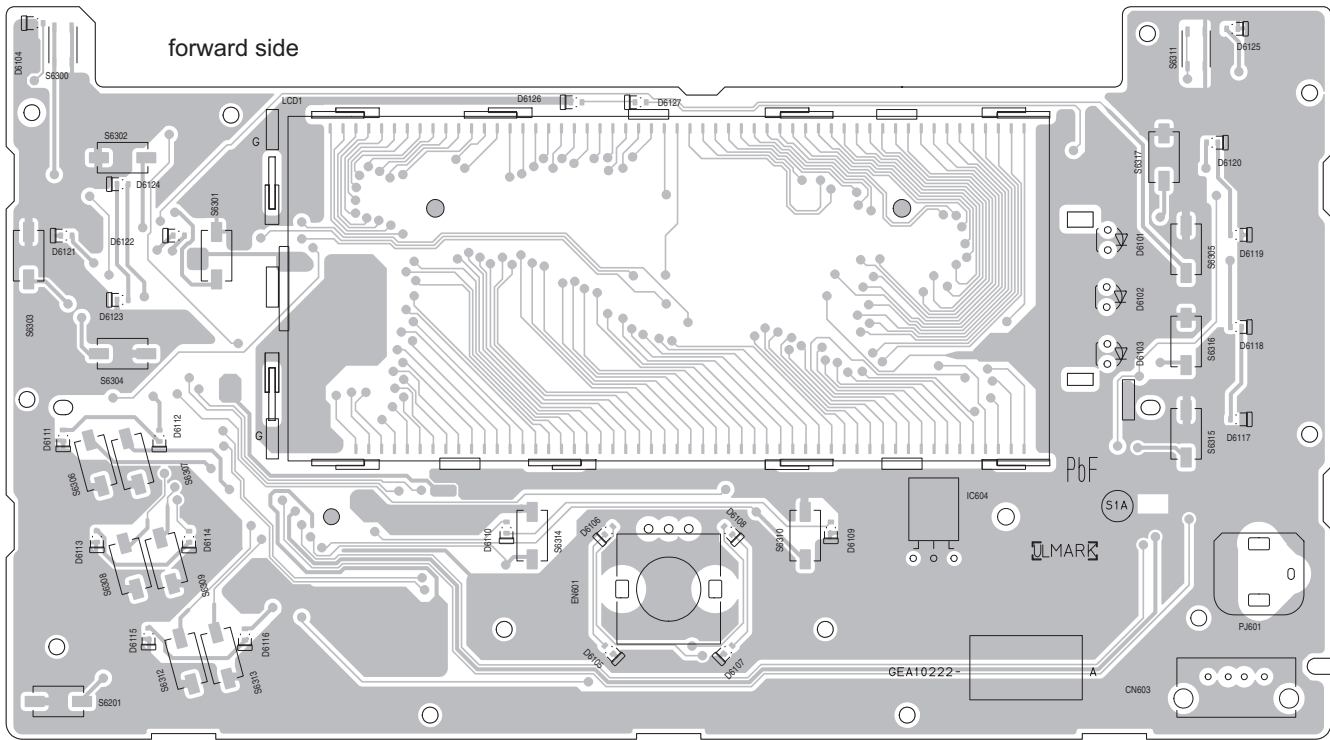


Switch board

for KW-XG700J

Lead free solder used in the board (material : Sn-Ag-Cu, melting point : 219 Centigrade)

Lead free solder used in the board (material : Sn-Cu, melting point : 230 Centigrade)

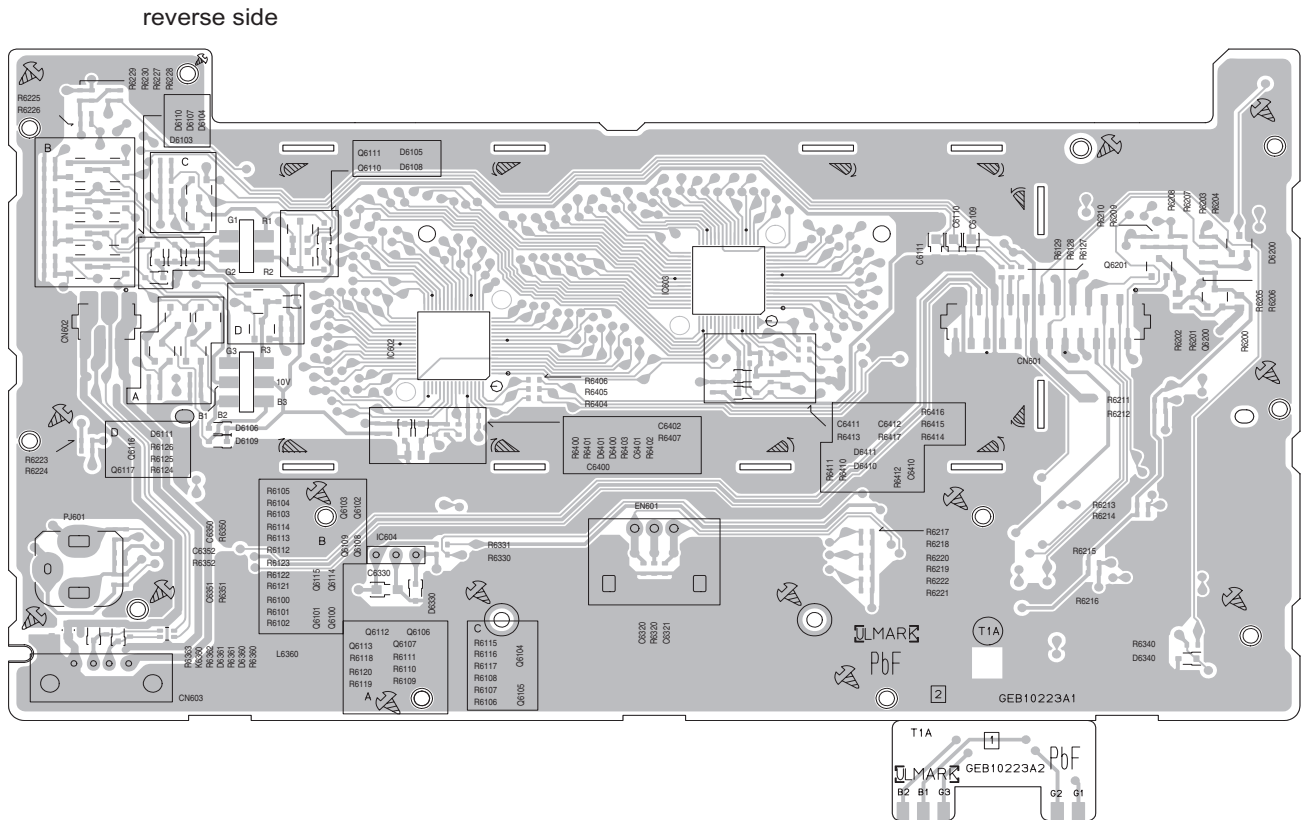
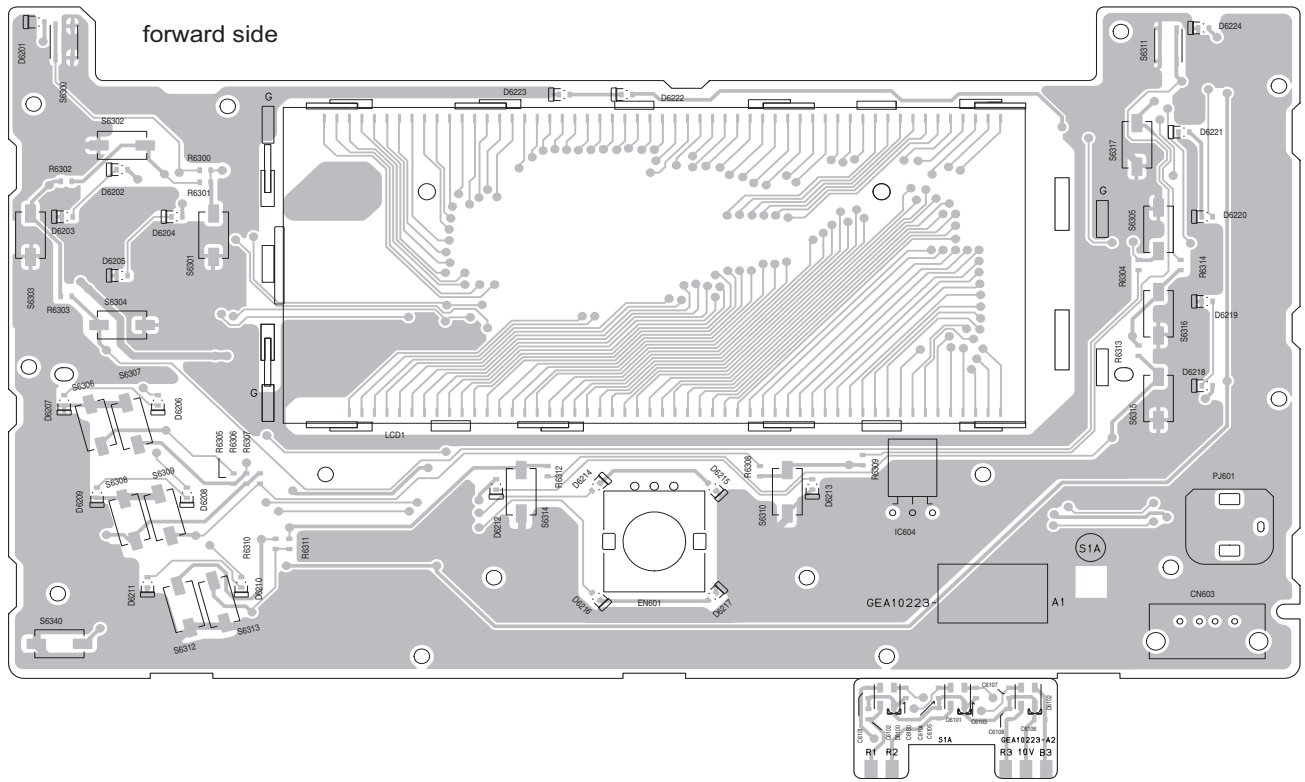


Switch board

except KW-XG700J

Lead free solder used in the board (material : Sn-Ag-Cu, melting point : 219 Centigrade)

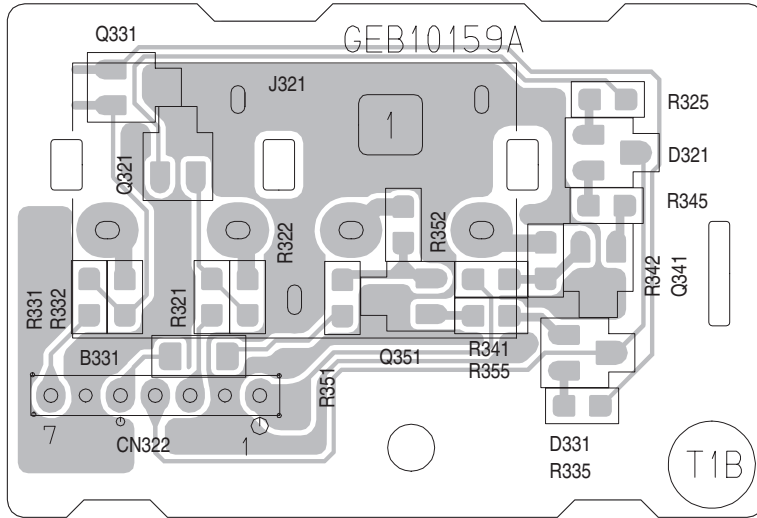
Lead free solder used in the board (material : Sn-Cu, melting point : 230 Centigrade)



■ **Function board**

Lead free solder used in the board (material : Sn-Ag-Cu, melting point : 219 Centigrade)

Lead free solder used in the board (material : Sn-Cu, melting point : 230 Centigrade)



< MEMO >

JVC

Victor Company of Japan, Limited

Mobile Entertainment Business Group Mobile Entertainment Category 10-1, 1chome, Ohwatari-machi, Maebashi-city, Gumma-ken, 371-8543, Japan

(No.MA346SCH)



Printed in Japan
VPT

PARTS LIST

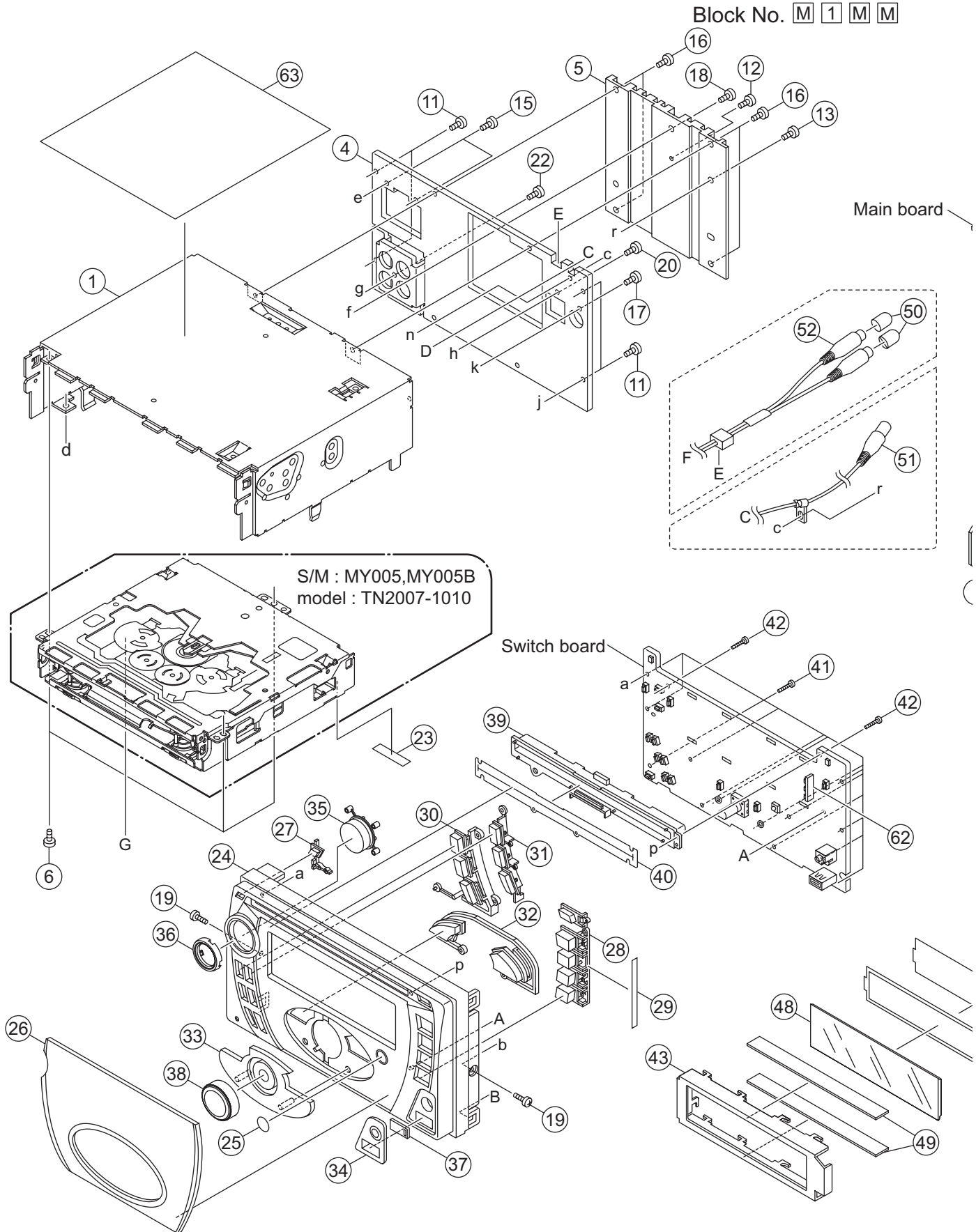
KW-XG700J,KW-XG701E,KW-XG701EX
KW-XG701EY,KW-XG701EU,KW-XG704UI
KW-XG705U,KW-XG705UN,KW-XG705UH
KW-XG706U,KW-XG706UN,KW-XG706UH
KW-XG707EE,KW-XG708UF

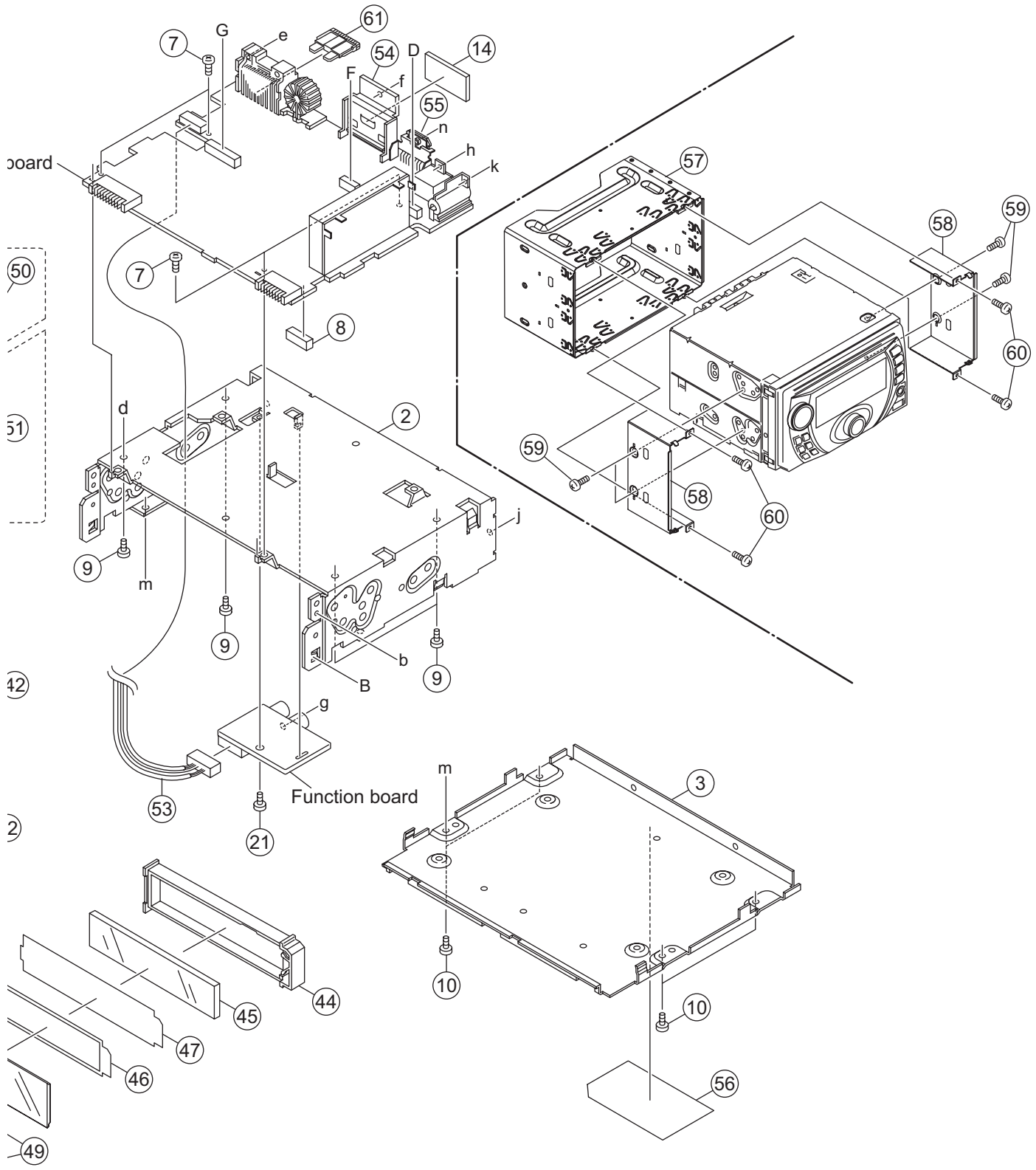
- * All printed circuit boards and its assemblies are not available as service parts.
- * Please refer to the mechanism manual (model TN2007-1010, No.MY005,MY005B) for the CD mechanism.

- Contents -

Exploded view of general assembly and parts list (Block No.M1)	3- 2
Electrical parts list (Block No.01~04)	3- 6
Packing materials and accessories parts list (Block No.M3)	3-18

Exploded view of general assembly and parts list





The parts without symbol number are not service.

General Assembly

Block No. [M][1][M][M]

Symbol No.	Part No.	Part Name	Description	Local
1	GE10170-001A	TOP CHASSIS		
2	LV10864-002A	MIDDLE CHASSIS		
3	LV10865-002A	BOTTOM CHASSIS		
4	GE31799-003A	REAR BRACKET		
5	LV34655-002A	HEAT SINK		
6	QYSDST2604ZA	TAP SCREW	M2.6 x 4mm(x3)	
7	GE40377-002A	SCREW	(x4)	
8	GE40218-074A	SHEET		
9	QYSDST2606ZA	TAP SCREW	M2.6 x 6mm(x4)	
10	QYSDST2606ZA	TAP SCREW	M2.6 x 6mm(x4)	
11	QYSDST2606ZA	TAP SCREW	M2.6 x 6mm(x4)	
12	QYSDST2606ZA	TAP SCREW	M2.6 x 6mm	
13	GE40377-001A	SCREW		
14	LV43693-001A	COOLING RUBBER		
15	QYSDSF2606ZA	TAP SCREW	M2.6 x 6mm(x2)	
16	QYSDST2606ZA	TAP SCREW	M2.6 x 6mm(x4)	
17	QYSDST2606ZA	TAP SCREW	M2.6 x 6mm	
18	QYSDST2606ZA	TAP SCREW	M2.6 x 6mm	
19	QYSDST2004ZA	TAP SCREW	M2 x 4mm(x2)	
20	QYSDST2606ZA	TAP SCREW	M2.6 x 6mm	700J,701E,701EX,701EY,701EU
21	QYSDST2606ZA	TAP SCREW	M2.6 x 6mm	
22	QYSDSF3006ZA	TAP SCREW	M3 x 6mm	
23	FSYH4036-100	SHEET		
24	GE10165-001A	FRONT PANEL		700J,706U,706UN,706UH,708UF
24	GE10165-003A	FRONT PANEL		701E,701EX,701EY,701EU,707EE
24	GE10165-002A	FRONT PANEL		704UI,705U,705UN,705UH
25	GE40218-072A	SHEET		
26	GE32787-001A	FINDER ASSY		700J
26	GE32787-003A	FINDER ASSY		701E,701EX,701EY,701EU
26	GE32787-005A	FINDER ASSY		704UI
26	GE32787-004A	FINDER ASSY		705U,705UN,705UH
26	GE32787-007A	FINDER ASSY		706U,706UN,706UH
26	GE32787-006A	FINDER ASSY		707EE
26	GE32787-009A	FINDER ASSY		708UF
27	GE40384-001A	POWER BUTTON		700J,701E,701EX,701EY,701EU,706U, 706UN,706UH,707EE,708UF
27	GE40384-002A	POWER BUTTON		704UI,705U,705UN,705UH
28	GE20220-001A	D FUNCTION BTN		700J,706U,706UN,706UH,708UF
28	GE20220-003A	D FUNCTION BTN		701E,701EX,701EY,701EU,707EE
28	GE20220-002A	D FUNCTION BTN		704UI,705U,705UN,705UH
29	GE40218-078A	SHEET		
30	GE32727-002A	PRESET BUTTON L		700J,701E,701EX,701EY,701EU,706U, 706UN,706UH,707EE,708UF
30	GE32727-001A	PRESET BUTTON L		704UI,705U,705UN,705UH
31	GE32728-002A	PRESET BUTTON R		700J,701E,701EX,701EY,701EU,706U, 706UN,706UH,707EE,708UF
31	GE32728-001A	PRESET BUTTON R		704UI,705U,705UN,705UH
32	GE32730-001A	SEL EQ BUTTON		
33	GE20223-002A	VOLKNOB COVER		
34	GE32731-001A	USB COVER		700J,701E,701EX,701EY,701EU,706U, 706UN,706UH,707EE,708UF
34	GE32731-002A	USB COVER		704UI,705U,705UN,705UH
35	GE32732-001A	NAVI BUTTON		700J,701E,701EX,701EY,701EU,706U, 706UN,706UH,707EE,708UF
35	GE32732-002A	NAVI BUTTON		704UI,705U,705UN,705UH
36	GE32729-002A	RIM COVER		
37	GE40385-001A	USB DOOR		700J,701E,701EX,701EY,701EU,706U, 706UN,706UH,707EE,708UF
37	GE40385-002A	USB DOOR		704UI,705U,705UN,705UH
38	GE40314-006A	VOL KNOB ASSY		
39	GE20221-001A	DISC GUIDE		
40	LV34709-001A	BLIND		
41	VKZ4777-010	MINI SCREW	(x13)	
42	VKZ4777-008	SCREW	(x2)	
43	GE20222-002A	LCD CASE		
44	GE32725-001A	LENS CASE		
45	GE32726-001A	LCD LENS		
46	GE40386-001A	LIGHTING SHEET		
47	GE40386-002A	LIGHTING SHEET		701E,701EX,701EY,701EU,704UI,705U, 705UN,705UH,706U,706UN,706UH, 707EE,708UF
48	QLD0484-001	LCD MODULE		700J
48	QLD0485-001	LCD MODULE		701E,701EX,701EY,701EU,704UI,705U, 705UN,705UH,706U,706UN,706UH, 707EE,708UF

△	Symbol No.	Part No.	Part Name	Description	Local
	49	QNZ0932-001	RUBBER CONNECTO	(x2)	
	50	VYTA500-001	PIN CAP	(x2)	
	51	QAM0991-001	STEERING REMOTE		700J,701E,701EX,701EY,701EU
	52	QAM1008-001	S.WOOFER CABLE		
	53	WJN0193-001A-E	E-SH C WIRE C-C		
	54	LV34650-001A	IC BKT		
	55	GE40364-001A	REG IC BKT		
	56	GE32742-001A	NAME PLATE		700J
	56	GE32760-001A	NAME PLATE		701E,701EX,701EY,701EU
	56	GE32754-001A	NAME PLATE		704UI
	56	GE32745-001A	NAME PLATE		705U,705UN,705UH
	56	GE32748-001A	NAME PLATE		706U,706UN,706UH
	56	GE32763-002A	NAME PLATE		707EE
	56	GE32757-001A	NAME PLATE		708UF
	57	LV22425-006A	SLEEVE ASSY		701E,701EX,701EY,701EU,707EE
	58	LV37151-003A	SUPPORT BKT	(x2)	701E,701EX,701EY,701EU,707EE
	59	QYSSSP5008ZA	SCREW	M5 x 8mm(x4)	701E,701EX,701EY,701EU,707EE
	60	QYSDST2604ZA	TAP SCREW	M2.6 x 4mm(x4)	701E,701EX,701EY,701EU,707EE
△	61	QMFZ047-150-T	FUSE	15A	
	62	GE32724-001A	LED HOLDER		700J
	63	GE40402-001A	TOP SHEET		708UF

Electrical parts list

Main board

Block No. [0][1]

△ Symbol No.	Part No.	Part Name	Description	Local
IC71	LC72725KM-X	IC		701E,701EX,701EY,701EU,707EE
IC161	TDA7419N-X	IC		
IC181	CD4066BPW-X	IC		
△ IC301	TB2926HQ	IC		
△ IC501	LA6242H-X	IC		
IC502	TC74VHC04FT-X	IC		
IC503	PCM1780-X	IC		
△ IC541	TC94A70FG-005A	IC		
IC561	SN74CBT3245AP-X	IC		
IC571	NJU7772F15-X	IC		
IC581	NJM4580E-X	IC		
△ IC601	TCC8600	IC		
IC641	SA16D90TFI011B	IC (PROGRAMED)		
IC642	K4S641632K-UC75	IC		
IC651	AK4385ET-X	IC		
IC652	NJM4565E-X	IC		
IC681	74LVC2G07GV-X	IC		
IC682	TC7SET08F-X	IC		
IC683	BD9781HFP-W	IC		
IC691	BD6516F-X	IC		
IC692	BH18LB1WG-W	IC		
△ IC701	UPD78F1167GC4J	IC(PROGRAMED)		700J,704UI,705U,705UN,705UH,706U,706UH,708UF
IC701	UPD78F1167GC1K	IC(PROGRAMED)		701E,701EX,701EY,701EU,707EE
IC702	S-80833CENN-B-G-W	IC		
IC702	or IC-PST3433U-X	IC		
IC771	S-24CS16A0I-G-X	IC		701E,701EX,701EY,701EU,707EE
IC801	HD74HC126FP-X	IC		
△ IC901	R2S25401DS-E	IC		
Q1	RT1N141C-X	DIGI TRANSISTOR		
Q1	or UN2211-X	TRANSISTOR		
Q181	RT1N141C-X	DIGI TRANSISTOR		
Q181	or UN2211-X	TRANSISTOR		
Q182	RT1N141C-X	DIGI TRANSISTOR		
Q182	or UN2211-X	TRANSISTOR		
Q261	RT1P141C-X	DIGI TRANSISTOR		
Q261	or UN2111-X	TRANSISTOR		
Q262	KTD1304-X	TRANSISTOR		
Q502	2SA1705/ST/-T	TRANSISTOR		
Q571	2SA1708/ST/-T	TRANSISTOR		
Q581	2SA1365/F/-X	TRANSISTOR		
Q582	RT1N141C-X	DIGI TRANSISTOR		
Q582	or UN2211-X	TRANSISTOR		
Q601	RT1N141C-X	DIGI TRANSISTOR		
Q601	or UN2211-X	TRANSISTOR		
Q781	RT1P141C-X	DIGI TRANSISTOR		
Q781	or UN2111-X	TRANSISTOR		
Q782	RT6N430C-X	TRANSISTOR		
Q784	RT1P141C-X	DIGI TRANSISTOR		
Q784	or UN2111-X	TRANSISTOR		
Q881	RT1N141C-X	DIGI TRANSISTOR		
Q881	or UN2211-X	TRANSISTOR		
Q891	RT1N141C-X	DIGI TRANSISTOR		
Q891	or UN2211-X	TRANSISTOR		
Q933	2SA1365/F/-X	TRANSISTOR		
Q934	RT1N141C-X	DIGI TRANSISTOR		
Q934	or UN2211-X	TRANSISTOR		
Q976	RT1N141C-X	DIGI TRANSISTOR		
Q976	or UN2211-X	TRANSISTOR		

△ Symbol No.	Part No.	Part Name	Description	Local
Q977	2SA1530A/QR/-X	TRANSISTOR		
Q977	or 2SB709A/QR/-X	TRANSISTOR		
Q5001	2SA1705/ST/-T	TRANSISTOR		
Q5002	RT1N141C-X	DIGI TRANSISTOR		
Q5002	or UN2211-X	TRANSISTOR		
Q5003	RT1N141C-X	DIGI TRANSISTOR		
Q5003	or UN2211-X	TRANSISTOR		
D1	1SS355W-X	DIODE		
D1	or MA111-X	SI DIODE		
D2	1SS355W-X	DIODE		
D2	or MA111-X	SI DIODE		
D261	1SS355W-X	DIODE		
D261	or MA111-X	SI DIODE		
D262	1SS355W-X	DIODE		
D262	or MA111-X	SI DIODE		
D501	1A3G-T1	SI DIODE		
D502	1SS355W-X	DIODE		
D502	or MA111-X	SI DIODE		
D503	1SS355W-X	DIODE		
D503	or MA111-X	SI DIODE		
D681	RB051L-40-X	SB DIODE		
D682	UDZW5.1B-X	SB DIODE		
D682	or MA8051/M/-X	Z DIODE		
D713	UDZW6.2B-X	Z DIODE		
D713	or MA8062/M/-X	Z DIODE		
D714	UDZW6.2B-X	Z DIODE		
D714	or MA8062/M/-X	Z DIODE		
D715	UDZW6.2B-X	Z DIODE		
D715	or MA8062/M/-X	Z DIODE		
D716	UDZW6.2B-X	Z DIODE		
D716	or MA8062/M/-X	Z DIODE		
D719	UDZW6.2B-X	Z DIODE		700J,701E,701EX,701EY,701EU
D719	or MA8062/M/-X	Z DIODE		700J,701E,701EX,701EY,701EU
D720	1SS355W-X	DIODE		
D720	or MA111-X	SI DIODE		
D781	1SS355W-X	DIODE		
D781	or MA111-X	SI DIODE		
D782	1SS355W-X	DIODE		
D782	or MA111-X	SI DIODE		
D783	1SS355W-X	DIODE		
D783	or MA111-X	SI DIODE		
D784	UDZW9.1B-X	Z DIODE		
D784	or MA8091/M/-X	Z DIODE		
D851	MA22D23-X	SB DIODE		704UI,705U,705UH,706U,706UH,708UF
D851	or CRS03-W	SB DIODE		704UI,705U,705UH,706U,706UH,708UF
D851	or RB160M-30-X	SB DIODE		704UI,705U,705UH,706U,706UH,708UF
D852	MA22D23-X	SB DIODE		704UI,705U,705UH,706U,706UH,708UF
D852	or CRS03-W	SB DIODE		704UI,705U,705UH,706U,706UH,708UF

△ Symbol No.	Part No.	Part Name	Description	Local	△ Symbol No.	Part No.	Part Name	Description	Local
D852	or RB160M-30-X	SB DIODE		704UI,705U,705UH,706U,706UN,706UH,708UF	C167	NCB31HK-472X	C CAPACITOR	4700pF 50V K	
D891	1SS355W-X	DIODE			C168	QTE1A57-107Z	E CAPACITOR	100uF 10V	
D891	or MA111-X	SI DIODE			C171	QTE1H57-105Z	E CAPACITOR	1uF 50V	
D892	1SS355W-X	DIODE			C172	QTE1H54-225Z	E CAPACITOR	2.2uF 50V	700J,704UI,705U,705UN,705UH,706U,706UH,708UF
D892	or MA111-X	SI DIODE							
△ D901	1N5401-F64	SI DIODE			C172	QTE1H55-225Z	E CAPACITOR	2.2uF 50V	701E,701EX,701EU,707EE
△ D901	or 1N5401-TU-15	SI DIODE							
D902	1SS355W-X	DIODE			C176	NCB31AK-224X	C CAPACITOR	0.22uF 10V K	
D902	or MA111-X	SI DIODE			C177	QTE1C57-476Z	E CAPACITOR	47uF 16V	
D903	GS1J-X	DIODE		701E,701EX,701EY,701EU,707EE	C183	QEKJ1HM-105Z	E CAPACITOR	1uF 50V M	
					C184	QEKJ1HM-105Z	E CAPACITOR	1uF 50V M	
D971	MA22D23-X	SB DIODE			C185	QEKJ1HM-105Z	E CAPACITOR	1uF 50V M	
D971	or CRS03-W	SB DIODE			C186	QEKJ1HM-105Z	E CAPACITOR	1uF 50V M	
D971	or RB160M-30-X	SB DIODE			C261	QEKJ1CM-106Z	E CAPACITOR	10uF 16V M	
D972	MA22D23-X	SB DIODE			C262	QEKJ0JM-476Z	E CAPACITOR	47uF 6.3V M	
D972	or CRS03-W	SB DIODE			C263	NDC31HJ-101X	C CAPACITOR	100pF 50V J	701E,701EX,701EY,701EU,704UI,705U,705UH,706U,706UN,706UH,707EE,708UF
D972	or RB160M-30-X	SB DIODE							
C1	QEKJ1AM-227Z	E CAPACITOR	220uF 10V M						
C2	QEKJ1CM-476Z	E CAPACITOR	47uF 16V M						
C3	NCB31CK-104X	C CAPACITOR	0.1uF 16V K						
C4	NCB31CK-104X	C CAPACITOR	0.1uF 16V K						
C5	NCB31CK-104X	C CAPACITOR	0.1uF 16V K						
C6	NCB31CK-104X	C CAPACITOR	0.1uF 16V K						
C7	NCB31CK-224X	C CAPACITOR	0.22uF 16V K						
C71	NDC31HJ-561X	C CAPACITOR	560pF 50V J	701E,701EX,701EY,701EU,707EE	C301	NFV81CM-105X	MF CAPACITOR	1uF 16V M	
					C302	NFV81CM-105X	MF CAPACITOR	1uF 16V M	
C72	NCB31EK-223X	C CAPACITOR	0.022uF 25V K	701E,701EX,701EY,701EU,707EE	C303	NDC31HJ-101X	C CAPACITOR	100pF 50V J	
					C304	NDC31HJ-101X	C CAPACITOR	100pF 50V J	
C73	QEKJ1HM-225Z	E CAPACITOR	2.2uF 50V M	701E,701EX,701EY,701EU,707EE	C310	QTE1C57-476Z	E CAPACITOR	47uF 16V	
					C311	NFV81CM-105X	MF CAPACITOR	1uF 16V M	
C74	NDC31HJ-330X	C CAPACITOR	33pF 50V J	701E,701EX,701EY,701EU,707EE	C312	NFV81CM-105X	MF CAPACITOR	1uF 16V M	
					C313	NDC31HJ-101X	C CAPACITOR	100pF 50V J	
C75	NDC31HJ-330X	C CAPACITOR	33pF 50V J	701E,701EX,701EY,701EU,707EE	C314	NDC31HJ-101X	C CAPACITOR	100pF 50V J	
					C315	QEKJ1HM-225Z	E CAPACITOR	2.2uF 50V M	
C76	NCB31HK-103X	C CAPACITOR	0.01uF 50V K	701E,701EX,701EY,701EU,707EE	C317	QERF1EM-475Z	E CAPACITOR	4.7uF 16V M	700J,701E,704UI,705U,705UN,705UH,706U,706UN,706UH,707EE,708UF
C77	QEKJ0JM-476Z	E CAPACITOR	47uF 6.3V M	701E,701EX,701EY,701EU,707EE	C317	QERF1CM-475Z	E CAPACITOR	4.7uF 16V M	701EX,701EY,701EU
C78	NCB31HK-103X	C CAPACITOR	0.01uF 50V K	701E,701EX,701EY,701EU,707EE	C319	NCB31EK-473X	C CAPACITOR	0.047uF 25V K	
					C320	QEKJ1HM-475Z	E CAPACITOR	4.7uF 25V M	700J,701E,704UI,705U,705UN,705UH,706U,706UN,706UH,707EE,708UF
C81	QTE1H57-105Z	E CAPACITOR	1uF 50V						
C91	QTE1H57-105Z	E CAPACITOR	1uF 50V						
C141	NCB31HK-472X	C CAPACITOR	4700pF 50V K						
C142	NCB31HK-472X	C CAPACITOR	4700pF 50V K						
C161	QTE1H57-105Z	E CAPACITOR	1uF 50V						
C162	QTE1H54-225Z	E CAPACITOR	2.2uF 50V	700J,704UI,705U,705UN,705UH,706U,706UH,708UF					
C162	QTE1H55-225Z	E CAPACITOR	2.2uF 50V	701E,701EX,701EY,701EU,707EE					
C164	QEKJ1HM-105Z	E CAPACITOR	1uF 50V M						
C165	QEKJ1HM-105Z	E CAPACITOR	1uF 50V M						
C166	QEKJ1HM-105Z	E CAPACITOR	1uF 50V M						

△ Symbol No.	Part No.	Part Name	Description	Local	△ Symbol No.	Part No.	Part Name	Description	Local
C366	QEKJ1HM-475Z	E CAPACITOR	4.7uF 25V M	700J,701 E,704UI, 705U,705 UN,705U H,706U,7 06UN,70 6UH,707 EE,708U F	C525	QEKJ1AM-107Z	E CAPACITOR	100uF 10V M	701EX,70 1EY,701E U
C366	QEKJ1EM-475Z	E CAPACITOR	4.7uF 25V M	701EX,70 1EY,701E U	C526	QEKJ1CM-107Z	E CAPACITOR	100uF 10V M	700J,701 E,704UI, 705U,705 UN,705U H,706U,7 06UN,70 6UH,707 EE,708U F
C385	QEKJ1HM-475Z	E CAPACITOR	4.7uF 25V M	700J,701 E,704UI, 705U,705 UN,705U H,706U,7 06UN,70 6UH,707 EE,708U F	C526	QEKJ1AM-107Z	E CAPACITOR	100uF 10V M	701EX,70 1EY,701E U
C385	QEKJ1EM-475Z	E CAPACITOR	4.7uF 25V M	701EX,70 1EY,701E U	C527	NCB31HK-103X	C CAPACITOR	0.01uF 50V K	
C386	QEKJ1HM-475Z	E CAPACITOR	4.7uF 25V M	700J,701 E,704UI, 705U,705 UN,705U H,706U,7 06UN,70 6UH,707 EE,708U F	C528	QEKJ1CM-107Z	E CAPACITOR	100uF 10V M	700J,701 E,704UI, 705U,705 UN,705U H,706U,7 06UN,70 6UH,707 EE,708U F
C386	QEKJ1EM-475Z	E CAPACITOR	4.7uF 25V M	701EX,70 1EY,701E U	C528	QEKJ1AM-107Z	E CAPACITOR	100uF 10V M	701EX,70 1EY,701E U
C502	QEKJ1CM-107Z	E CAPACITOR	100uF 10V M	700J,701 E,704UI, 705U,705 UN,705U H,706U,7 06UN,70 6UH,707 EE,708U F	C529	NCB31HK-103X	C CAPACITOR	0.01uF 50V K	
C502	QEKJ1AM-107Z	E CAPACITOR	100uF 10V M	701EX,70 1EY,701E U	C530	NCB31CK-153X	C CAPACITOR	0.015uF 16V K	
C503	QEKJ1CM-476Z	E CAPACITOR	47uF 16V M		C531	NCB31HK-102X	C CAPACITOR	1000pF 50V K	
C504	NCB31HK-103X	C CAPACITOR	0.01uF 50V K		C532	NDC31HJ-271X	C CAPACITOR	270pF 50V J	
C509	NCB31EK-104X	C CAPACITOR	0.1uF 25V K		C533	NDC31HJ-271X	C CAPACITOR	270pF 50V J	
C510	NCB31EK-104X	C CAPACITOR	0.1uF 25V K		C534	NCB31EK-273X	C CAPACITOR	0.027uF 25V K	
C511	NCB31HK-103X	C CAPACITOR	0.01uF 50V K		C535	NCB31HK-183X	C CAPACITOR	0.018uF 50V K	
C512	NCB31HK-103X	C CAPACITOR	0.01uF 50V K		C536	NCB31EK-104X	C CAPACITOR	0.1uF 25V K	
C513	NCB31HK-103X	C CAPACITOR	0.01uF 50V K		C537	NCB31HK-222X	C CAPACITOR	2200pF 50V K	
C514	NCB31HK-103X	C CAPACITOR	0.01uF 50V K		C538	QEKJ1CM-476Z	E CAPACITOR	47uF 16V M	
C515	NCB31EK-473X	C CAPACITOR	0.047uF 25V K		C541	NCB31HK-333X	C CAPACITOR	0.033uF 50V K	
C516	NCB31EK-473X	C CAPACITOR	0.047uF 25V K		C542	NCB31HK-333X	C CAPACITOR	0.033uF 50V K	
C517	NDC31HJ-121X	C CAPACITOR	120pF 50V J		C543	NCB31EK-104X	C CAPACITOR	0.1uF 25V K	
C518	NCB31EK-473X	C CAPACITOR	0.047uF 25V K		C544	NCB31EK-104X	C CAPACITOR	0.1uF 25V K	
C519	NCB31EK-473X	C CAPACITOR	0.047uF 25V K		C545	NCB31EK-104X	C CAPACITOR	0.1uF 25V K	
C521	NCB31EK-104X	C CAPACITOR	0.1uF 25V K		C546	NCB31EK-104X	C CAPACITOR	0.1uF 25V K	
C522	QEKJ1CM-107Z	E CAPACITOR	100uF 10V M	700J,701 E,704UI, 705U,705 UN,705U H,706U,7 06UN,70 6UH,707 EE,708U F	C547	QEKJ1CM-476Z	E CAPACITOR	47uF 16V M	
C522	QEKJ1AM-107Z	E CAPACITOR	100uF 10V M	701EX,70 1EY,701E U	C548	NCB31EK-104X	C CAPACITOR	0.1uF 25V K	
C523	NCB31EK-104X	C CAPACITOR	0.1uF 25V K		C549	QEKJ1CM-226Z	E CAPACITOR	22uF 16V M	
C524	NCB31EK-104X	C CAPACITOR	0.1uF 25V K		C550	NCB31EK-104X	C CAPACITOR	0.1uF 25V K	
C525	QEKJ1CM-107Z	E CAPACITOR	100uF 10V M	700J,701 E,704UI, 705U,705 UN,705U H,706U,7 06UN,70 6UH,707 EE,708U F	C551	NCB31EK-104X	C CAPACITOR	0.1uF 25V K	
					C552	NCB31EK-104X	C CAPACITOR	0.1uF 25V K	
					C554	NCB31EK-104X	C CAPACITOR	0.1uF 25V K	
					C555	NCB31EK-104X	C CAPACITOR	0.1uF 25V K	
					C556	NCB31EK-104X	C CAPACITOR	0.1uF 25V K	
					C557	QEKJ1CM-476Z	E CAPACITOR	47uF 16V M	
					C558	NCB31EK-104X	C CAPACITOR	0.1uF 25V K	
					C559	QEKJ1CM-476Z	E CAPACITOR	47uF 16V M	
					C560	NCB31EK-104X	C CAPACITOR	0.1uF 25V K	
					C561	NCB31EK-104X	C CAPACITOR	0.1uF 25V K	
					C562	QEKJ1CM-476Z	E CAPACITOR	47uF 16V M	
					C563	NCB31EK-104X	C CAPACITOR	0.1uF 25V K	
					C564	NDC31HJ-680X	C CAPACITOR	68pF 50V J	
					C565	NCB31EK-153X	C CAPACITOR	0.015uF 25V K	
					C566	NCB31EK-104X	C CAPACITOR	0.1uF 25V K	
					C567	NCB31EK-104X	C CAPACITOR	0.1uF 25V K	
					C568	NCB31HK-472X	C CAPACITOR	4700pF 50V K	
					C569	NCB31HK-103X	C CAPACITOR	0.01uF 50V K	
					C570	NCB31HK-103X	C CAPACITOR	0.01uF 50V K	
					C571	NCB31EK-153X	C CAPACITOR	0.015uF 25V K	
					C572	NDC31HJ-470X	C CAPACITOR	47pF 50V J	
					C573	NCB31EK-333X	C CAPACITOR	0.033uF 25V K	
					C574	NCB31HK-103X	C CAPACITOR	0.01uF 50V K	
					C575	QEKJ1CM-107Z	E CAPACITOR	100uF 10V M	700J,701 E,704UI, 705U,705 UN,705U H,706U,7 06UN,70 6UH,707 EE,708U F

△ Symbol No.	Part No.	Part Name	Description	Local	△ Symbol No.	Part No.	Part Name	Description	Local
C575	QEKJ1AM-107Z	E CAPACITOR	100uF 10V M	701EX,701E,701EU	C685	NCB31EK-104X	C CAPACITOR	0.1uF 25V K	
C576	NCB31HK-562X	C CAPACITOR	5600pF 50V K		C686	NCB31HK-472X	C CAPACITOR	4700pF 50V K	
C578	NCB31HK-103X	C CAPACITOR	0.01uF 50V K		C687	NBZ0009-127X	E CAPACITOR	120uF	
C580	QTE1E57-475Z	E CAPACITOR	4.7uF 25V		C688	NCB31EK-103X	C CAPACITOR	0.01uF 25V K	
C581	NDC31HJ-101X	C CAPACITOR	100pF 50V J		C689	NCB31CK-153X	C CAPACITOR	0.015uF 16V K	
C582	NDC31HJ-151X	C CAPACITOR	150pF 50V J		C691	NBE21CM-475X	TA E CAPACITOR	4.7uF 16V M	
C583	QTE0J57-476Z	E CAPACITOR	47uF 6.3V		C692	NCB31CK-104X	C CAPACITOR	0.1uF 16V K	
C584	NDC31HJ-821X	C CAPACITOR	820pF 50V J		C701	NDC31HJ-220X	C CAPACITOR	22pF 50V J	
C590	QTE1E57-475Z	E CAPACITOR	4.7uF 25V		C702	NDC31HJ-270X	C CAPACITOR	27pF 50V J	
C591	NDC31HJ-101X	C CAPACITOR	100pF 50V J		C705	NCB31EK-473X	C CAPACITOR	0.047uF 25V K	
C592	NDC31HJ-151X	C CAPACITOR	150pF 50V J		C706	NCB31EK-473X	C CAPACITOR	0.047uF 25V K	
C593	QTE0J57-476Z	E CAPACITOR	47uF 6.3V		C707	NCB31EK-473X	C CAPACITOR	0.047uF 25V K	
C594	NDC31HJ-821X	C CAPACITOR	820pF 50V J		C708	NCB31EK-473X	C CAPACITOR	0.047uF 25V K	
C596	QEKJ1CM-107Z	E CAPACITOR	100uF 10V M	700J,701E,704UI,705U,705UN,705UH,706U,706UH,707EE,708UF	C709	NCB31HK-103X	C CAPACITOR	0.01uF 50V K	
C597	NCB31CK-104X	C CAPACITOR	0.1uF 16V K		C710	QEKJ0JM-476Z	E CAPACITOR	47uF 6.3V M	
C598	NCB31EK-104X	C CAPACITOR	0.1uF 25V K		C711	QERF0JM-337Z	E CAPACITOR	330uF 6.3V M	
C602	NCB31CK-104X	C CAPACITOR	0.1uF 16V K		C712	NCB31HK-103X	C CAPACITOR	0.01uF 50V K	
C603	NCB31CK-104X	C CAPACITOR	0.1uF 16V K		C713	NCB31HK-103X	C CAPACITOR	0.01uF 50V K	
C604	NCB31CK-104X	C CAPACITOR	0.1uF 16V K		C716	NCB31EK-104X	C CAPACITOR	0.1uF 25V K	
C605	NCB31HK-122X	C CAPACITOR	1200pF 50V K		C717	NCB31EK-104X	C CAPACITOR	0.1uF 25V K	
C606	NCB31CK-104X	C CAPACITOR	0.1uF 16V K		C718	NDC31HJ-101X	C CAPACITOR	100pF 50V J	700J,701E,701EX,701EY,701EU
C607	NDC31HJ-220X	C CAPACITOR	22pF 50V J		C724	NCB31AK-334X	C CAPACITOR	0.33uF 10V K	
C608	NDC31HJ-220X	C CAPACITOR	22pF 50V J		C728	NCB31EK-104X	C CAPACITOR	0.1uF 25V K	
C609	NCB31CK-104X	C CAPACITOR	0.1uF 16V K		C771	NCB31EK-473X	C CAPACITOR	0.047uF 25V K	701E,701EX,701EY,701EU,707EE
C610	NCB31CK-104X	C CAPACITOR	0.1uF 16V K		C781	QEKJ1CM-107Z	E CAPACITOR	100uF 16V M	
C611	NDC31HJ-331X	C CAPACITOR	330pF 50V J		C783	NCB31HK-103X	C CAPACITOR	0.01uF 50V K	
C612	NCB31CK-104X	C CAPACITOR	0.1uF 16V K		C784	QEKJ1CM-107Z	E CAPACITOR	100uF 16V M	
C613	NCB31CK-104X	C CAPACITOR	0.1uF 16V K		C801	NCB31EK-473X	C CAPACITOR	0.047uF 25V K	
C614	NCB31CK-104X	C CAPACITOR	0.1uF 16V K		C851	QEKJ1CM-106Z	E CAPACITOR	10uF 16V M	704UI,705U,705UH,706U,706UH,708UF
C615	NCB31CK-104X	C CAPACITOR	0.1uF 16V K		C852	NCB31CK-224X	C CAPACITOR	0.22uF 16V K	704UI,705U,705UH,706U,706UH,708UF
C616	NCB31CK-104X	C CAPACITOR	0.1uF 16V K		C881	QEKJ1CM-226Z	E CAPACITOR	22uF 16V M	
C617	NCB31CK-104X	C CAPACITOR	0.1uF 16V K		C891	NCB31EK-104X	C CAPACITOR	0.1uF 25V K	
C618	NCB31CK-104X	C CAPACITOR	0.1uF 16V K		C901	QEZ0769-278	E CAPACITOR	2700uF	700J,704UI,705U,705UN,705UH,706U,706UH,708UF
C619	NCB31CK-104X	C CAPACITOR	0.1uF 16V K		C902	QEKJ1HM-225Z	E CAPACITOR	2.2uF 50V M	
C620	NCB31CK-104X	C CAPACITOR	0.1uF 16V K		C903	QEKJ1CM-476Z	E CAPACITOR	47uF 16V M	
C621	NCB31CK-104X	C CAPACITOR	0.1uF 16V K		C904	QEKJ1CM-106Z	E CAPACITOR	10uF 16V M	
C640	NCB31AK-154X	C CAPACITOR	0.15uF 10V K		C905	QEKJ1CM-476Z	E CAPACITOR	47uF 16V M	
C641	NCB31CK-104X	C CAPACITOR	0.1uF 16V K		C906	NCB31HK-103X	C CAPACITOR	0.01uF 50V K	
C642	NBE20JM-226X	TA E CAPACITOR	22uF 6.3V M		C907	QEKJ1AM-227Z	E CAPACITOR	220uF 10V M	
C643	NCB31CK-104X	C CAPACITOR	0.1uF 16V K		C908	QEKJ1AM-227Z	E CAPACITOR	220uF 10V M	
C644	NCB31CK-104X	C CAPACITOR	0.1uF 16V K		C909	QEKJ1AM-227Z	E CAPACITOR	220uF 10V M	
C645	NCB31CK-104X	C CAPACITOR	0.1uF 16V K		C910	QEKJ1CM-106Z	E CAPACITOR	10uF 16V M	
C646	NCB31CK-104X	C CAPACITOR	0.1uF 16V K		C911	NCB31CK-104X	C CAPACITOR	0.1uF 16V K	
C647	NCB31CK-104X	C CAPACITOR	0.1uF 16V K		C912	NCB31HK-103X	C CAPACITOR	0.01uF 50V K	
C648	NBE20JM-226X	TA E CAPACITOR	22uF 6.3V M		C913	QEKJ1CM-106Z	E CAPACITOR	10uF 16V M	
C649	NCB31CK-104X	C CAPACITOR	0.1uF 16V K		C914	QEKJ1CM-107Z	E CAPACITOR	100uF 16V M	
C650	NCB31CK-104X	C CAPACITOR	0.1uF 16V K		C915	NCB31CK-104X	C CAPACITOR	0.1uF 16V K	
C651	NCB31HK-331X	C CAPACITOR	330pF 50V K		C929	NCB31AK-474X	C CAPACITOR	0.47uF 10V K	
C654	NBE41AM-476X	TA E CAPACITOR	47uF 10V M		C933	QEKJ1AM-227Z	E CAPACITOR	220uF 10V M	
C655	NCB31CK-104X	C CAPACITOR	0.1uF 16V K		C934	NCB31CK-104X	C CAPACITOR	0.1uF 16V K	
C656	NCB31CK-104X	C CAPACITOR	0.1uF 16V K		C971	NCB31EK-104X	C CAPACITOR	0.1uF 25V K	
C657	NBE41AM-476X	TA E CAPACITOR	47uF 10V M		C991	NDC31HJ-471X	C CAPACITOR	470pF 50V J	
C661	NCB31HK-332X	C CAPACITOR	3300pF 50V J		C992	NDC31HJ-471X	C CAPACITOR	470pF 50V J	
C662	NCS31HJ-471X	C CAPACITOR	470pF 50V J		C993	NDC31HJ-471X	C CAPACITOR	470pF 50V J	
C663	NCS31HJ-471X	C CAPACITOR	470pF 50V J		C994	NDC31HJ-471X	C CAPACITOR	470pF 50V J	
C664	NCB31CK-104X	C CAPACITOR	0.1uF 16V K						
C665	NBE41AM-476X	TA E CAPACITOR	47uF 10V M						
C671	NCB31HK-332X	C CAPACITOR	3300pF 50V K						
C672	NCS31HJ-471X	C CAPACITOR	470pF 50V J						
C673	NCS31HJ-471X	C CAPACITOR	470pF 50V J						
C674	NCB31CK-104X	C CAPACITOR	0.1uF 16V K						
C675	NBE41AM-476X	TA E CAPACITOR	47uF 10V M						
C680	NCB31CK-153X	C CAPACITOR	0.015uF 16V K	700J					
C681	NCB31CK-104X	C CAPACITOR	0.1uF 16V K						
C682	NCB31CK-104X	C CAPACITOR	0.1uF 16V K						
C683	QEZ0595-477Z	E CAPACITOR	470uF 25V M						
C684	NCF31CZ-104X	C CAPACITOR	0.1uF 16V Z						

△ Symbol No.	Part No.	Part Name	Description	Local	△ Symbol No.	Part No.	Part Name	Description	Local
C995	NDC31HJ-471X	C CAPACITOR	470pF 50V J		R302	NRSA63J-102X	MG RESISTOR	1kΩ 1/16W J	
C996	NDC31HJ-471X	C CAPACITOR	470pF 50V J		R303	NRSA63J-103X	MG RESISTOR	10kΩ 1/16W J	
C997	NDC31HJ-471X	C CAPACITOR	470pF 50V J		R311	NRSA63J-102X	MG RESISTOR	1kΩ 1/16W J	
C998	NDC31HJ-471X	C CAPACITOR	470pF 50V J		R312	NRSA63J-102X	MG RESISTOR	1kΩ 1/16W J	
C5001	NCB31CK-104X	C CAPACITOR	0.1uF 16V K		R365	NRSA63J-473X	MG RESISTOR	47kΩ 1/16W J	
C5002	NDC31HJ-120X	C CAPACITOR	12pF 50V J		R366	NRSA63J-473X	MG RESISTOR	47kΩ 1/16W J	
C5003	NDC31HJ-150X	C CAPACITOR	15pF 50V J		R385	NRSA63J-473X	MG RESISTOR	47kΩ 1/16W J	
C5004	QTE1A57-107Z	E CAPACITOR	100uF 10V		R386	NRSA63J-473X	MG RESISTOR	47kΩ 1/16W J	
C5005	NCB31CK-104X	C CAPACITOR	0.1uF 16V K		R502	NRSA02J-0R0X	MG RESISTOR	0Ω 1/10W J	
C5006	NCB31HK-123X	C CAPACITOR	0.012uF 50V K		R503	NRSA02J-0R0X	MG RESISTOR	0Ω 1/10W J	
C5007	QTE0J57-476Z	E CAPACITOR	47uF 6.3V		R504	NRSA63J-822X	MG RESISTOR	8.2kΩ 1/16W J	
C5008	NCB31CK-104X	C CAPACITOR	0.1uF 16V K		R505	NRSA63J-512X	MG RESISTOR	5.1kΩ 1/16W J	
C5010	NCB31CK-104X	C CAPACITOR	0.1uF 16V K		R511	NRSA63J-103X	MG RESISTOR	10kΩ 1/16W J	
R3	NRSA63J-102X	MG RESISTOR	1kΩ 1/16W J		R512	NRSA63J-752X	MG RESISTOR	7.5kΩ 1/16W J	
R9	NRSA63J-103X	MG RESISTOR	10kΩ 1/16W J		R513	NRSA63J-332X	MG RESISTOR	3.3kΩ 1/16W J	
R10	NRSA63J-473X	MG RESISTOR	47kΩ 1/16W J		R514	NRSA63J-103X	MG RESISTOR	10kΩ 1/16W J	
R11	NRSA63J-472X	MG RESISTOR	4.7kΩ 1/16W J		R515	NRSA63J-682X	MG RESISTOR	6.8kΩ 1/16W J	
R12	NRSA63J-331X	MG RESISTOR	330Ω 1/16W J		R518	NRSA63J-302X	MG RESISTOR	3kΩ 1/16W J	
R13	NRSA63J-472X	MG RESISTOR	4.7kΩ 1/16W J		R519	NRSA63J-123X	MG RESISTOR	12kΩ 1/16W J	
R14	NRSA63J-331X	MG RESISTOR	330Ω 1/16W J		R520	NRSA63J-822X	MG RESISTOR	8.2kΩ 1/16W J	
R15	NRSA63J-102X	MG RESISTOR	1kΩ 1/16W J		R521	NRSA63J-152X	MG RESISTOR	1.5kΩ 1/16W J	
R16	NRSA63J-332X	MG RESISTOR	3.3kΩ 1/16W J		R522	NRSA63J-152X	MG RESISTOR	1.5kΩ 1/16W J	
R17	NRSA63J-0R0X	MG RESISTOR	0Ω 1/16W J		R523	NRSA63J-152X	MG RESISTOR	1.5kΩ 1/16W J	
R21	NRS181J-120X	MG RESISTOR	12Ω 1/8W J		R524	NRSA63J-151X	MG RESISTOR	150Ω 1/16W J	
R22	NRS181J-120X	MG RESISTOR	12Ω 1/8W J		R525	NRS181J-101X	MG RESISTOR	100Ω 1/8W J	
R71	NRSA63J-0R0X	MG RESISTOR	0Ω 1/16W J	701E,701 EX,701E Y,701EU, 707EE	R526	NRS181J-101X	MG RESISTOR	100Ω 1/8W J	
R72	NRSA63J-222X	MG RESISTOR	2.2kΩ 1/16W J	701E,701 EX,701E Y,701EU, 707EE	R527	NRSA63J-473X	MG RESISTOR	47kΩ 1/16W J	
R73	NRSA63J-222X	MG RESISTOR	2.2kΩ 1/16W J	701E,701 EX,701E Y,701EU, 707EE	R528	NRSA63J-102X	MG RESISTOR	1kΩ 1/16W J	
R74	NRSA02J-101X	MG RESISTOR	100Ω 1/10W J	701E,701 EX,701E Y,701EU, 707EE	R529	NRSA63J-102X	MG RESISTOR	1kΩ 1/16W J	
R81	NRSA63J-123X	MG RESISTOR	12kΩ 1/16W J		R530	NRSA63J-105X	MG RESISTOR	1MΩ 1/16W J	
R82	NRSA63J-242X	MG RESISTOR	2.4kΩ 1/16W J	700J	R531	NRSA63J-332X	MG RESISTOR	3.3kΩ 1/16W J	
R82	NRSA63J-472X	MG RESISTOR	4.7kΩ 1/16W J	701E,701 EX,701E Y,701EU, 704UI,70 5U,705U N,705UH, 706U,706 UN,706U H,707EE, 708UF	R532	NRSA63J-221X	MG RESISTOR	220Ω 1/16W J	
R91	NRSA63J-123X	MG RESISTOR	12kΩ 1/16W J		R533	NRSA63J-103X	MG RESISTOR	10kΩ 1/16W J	
R92	NRSA63J-242X	MG RESISTOR	2.4kΩ 1/16W J	700J	R534	NRSA63J-103X	MG RESISTOR	10kΩ 1/16W J	
R92	NRSA63J-472X	MG RESISTOR	4.7kΩ 1/16W J	701E,701 EX,701E Y,701EU, 704UI,70 5U,705U N,705UH, 706U,706 UN,706U H,707EE, 708UF	R535	NRSA63J-103X	MG RESISTOR	10kΩ 1/16W J	
R141	NRSA63J-473X	MG RESISTOR	47kΩ 1/16W J		R536	NRSA63J-103X	MG RESISTOR	10kΩ 1/16W J	
R142	NRSA63J-473X	MG RESISTOR	47kΩ 1/16W J		R537	NRSA63J-103X	MG RESISTOR	10kΩ 1/16W J	
R161	NRSA63J-222X	MG RESISTOR	2.2kΩ 1/16W J		R538	NRSA63J-103X	MG RESISTOR	10kΩ 1/16W J	
R162	NRSA63J-222X	MG RESISTOR	2.2kΩ 1/16W J		R539	NRSA63J-103X	MG RESISTOR	10kΩ 1/16W J	
R163	NRSA63J-331X	MG RESISTOR	330Ω 1/16W J		R540	NRSA63J-103X	MG RESISTOR	10kΩ 1/16W J	
R175	NRSA63J-222X	MG RESISTOR	2.2kΩ 1/16W J		R541	NRSA63J-101X	MG RESISTOR	100Ω 1/16W J	
R176	NRSA63J-222X	MG RESISTOR	2.2kΩ 1/16W J		R542	NRSA63J-103X	MG RESISTOR	10kΩ 1/16W J	
R178	NRSA63J-103X	MG RESISTOR	10kΩ 1/16W J		R543	NRSA63J-101X	MG RESISTOR	100Ω 1/16W J	
R179	NRSA63J-103X	MG RESISTOR	10kΩ 1/16W J		R544	NRSA63J-101X	MG RESISTOR	100Ω 1/16W J	
R181	NRSA63J-222X	MG RESISTOR	2.2kΩ 1/16W J		R545	NRSA63J-104X	MG RESISTOR	100kΩ 1/16W J	
R182	NRSA63J-222X	MG RESISTOR	2.2kΩ 1/16W J		R546	NRSA63J-104X	MG RESISTOR	100kΩ 1/16W J	
R261	NRSA63J-101X	MG RESISTOR	100Ω 1/16W J		R547	NRSA63J-472X	MG RESISTOR	4.7kΩ 1/16W J	
R262	NRSA63J-821X	MG RESISTOR	820Ω 1/16W J		R548	NRSA63J-562X	MG RESISTOR	5.6kΩ 1/16W J	
R263	NRSA63J-333X	MG RESISTOR	33kΩ 1/16W J		R549	NRSA63J-154X	MG RESISTOR	150kΩ 1/16W J	
R264	NRSA63J-472X	MG RESISTOR	4.7kΩ 1/16W J		R550	NRSA63J-334X	MG RESISTOR	330kΩ 1/16W J	
R301	NRSA63J-102X	MG RESISTOR	1kΩ 1/16W J		R551	NRSA63J-473X	MG RESISTOR	47kΩ 1/16W J	
					R552	NRSA63J-153X	MG RESISTOR	15kΩ 1/16W J	
					R553	NRSA63J-223X	MG RESISTOR	22kΩ 1/16W J	
					R556	NRSA63J-0R0X	MG RESISTOR	0Ω 1/16W J	
					R557	NRSA63J-0R0X	MG RESISTOR	0Ω 1/16W J	
					R560	NRSA63J-104X	MG RESISTOR	100kΩ 1/16W J	
					R561	NRSA63J-101X	MG RESISTOR	100Ω 1/16W J	
					R562	NRSA63J-101X	MG RESISTOR	100Ω 1/16W J	
					R563	NRSA63J-101X	MG RESISTOR	100Ω 1/16W J	
					R564	NRSA63J-101X	MG RESISTOR	100Ω 1/16W J	
					R565	NRSA63J-101X	MG RESISTOR	100Ω 1/16W J	
					R566	NRSA63J-101X	MG RESISTOR	100Ω 1/16W J	
					R567	NRSA63J-101X	MG RESISTOR	100Ω 1/16W J	
					R568	NRSA63J-223X	MG RESISTOR	22kΩ 1/16W J	
					R569	NRSA63J-473X	MG RESISTOR	47kΩ 1/16W J	
					R570	NRSA63J-103X	MG RESISTOR	10kΩ 1/16W J	
					R571	NRSA63J-103X	MG RESISTOR	10kΩ 1/16W J	
					R572	NRSA63J-103X	MG RESISTOR	10kΩ 1/16W J	
					R573	NRSA63J-103X	MG RESISTOR	10kΩ 1/16W J	
					R574	NRSA63J-103X	MG RESISTOR	10kΩ 1/16W J	
					R575	NRSA63J-103X	MG RESISTOR	10kΩ 1/16W J	
					R576	NRSA63J-103X	MG RESISTOR	10kΩ 1/16W J	
					R577	NRSA02J-220X	MG RESISTOR	22Ω 1/10W J	
					R578	NRSA02J-220X	MG RESISTOR	22Ω 1/10W J	
					R579	NRSA63J-103X	MG RESISTOR	10kΩ 1/16W J	
					R580	NRSA02J-100X	MG RESISTOR	10Ω 1/10W J	
					R581	NRSA63J-0R0X	MG RESISTOR	0Ω 1/16W J	
					R583	NRSA63J-243X	MG RESISTOR	24kΩ 1/16W J	

△ Symbol No.	Part No.	Part Name	Description	Local	△ Symbol No.	Part No.	Part Name	Description	Local
R585	NRSA63J-273X	MG RESISTOR	27kΩ 1/16W J		R682	NRSA63J-103X	MG RESISTOR	10kΩ 1/16W J	
R586	NRSA63J-822X	MG RESISTOR	8.2kΩ 1/16W J		R683	NRSA63J-103X	MG RESISTOR	10kΩ 1/16W J	
R587	NRSA63J-103X	MG RESISTOR	10kΩ 1/16W J		R684	NRSA63J-103X	MG RESISTOR	10kΩ 1/16W J	
R588	NRSA63J-103X	MG RESISTOR	10kΩ 1/16W J		R685	NRSA63J-0R0X	MG RESISTOR	0Ω 1/16W J	
R589	NRSA63J-152X	MG RESISTOR	1.5kΩ 1/16W J		R686	NRSA63J-0R0X	MG RESISTOR	0Ω 1/16W J	
R591	NRSA63J-0R0X	MG RESISTOR	0Ω 1/16W J		R687	NRSA63J-181X	MG RESISTOR	180Ω 1/16W J	
R593	NRSA63J-243X	MG RESISTOR	24kΩ 1/16W J		R688	NRSA63J-0R0X	MG RESISTOR	0Ω 1/16W J	
R594	NRSA63J-0R0X	MG RESISTOR	0Ω 1/16W J		R689	NRSA63D-124X	MG RESISTOR	120kΩ 1/16W D	
R595	NRSA63J-273X	MG RESISTOR	27kΩ 1/16W J		R690	NRSA63J-154X	MG RESISTOR	150kΩ 1/16W J	
R596	NRSA63J-822X	MG RESISTOR	8.2kΩ 1/16W J		R691	NRSA63J-153X	MG RESISTOR	15kΩ 1/16W J	
R597	NRSA63J-103X	MG RESISTOR	10kΩ 1/16W J		R692	NRSA63J-623X	MG RESISTOR	62kΩ 1/16W J	
R598	NRSA63J-103X	MG RESISTOR	10kΩ 1/16W J		R694	NRSA63J-103X	MG RESISTOR	10kΩ 1/16W J	
R599	NRSA63J-152X	MG RESISTOR	1.5kΩ 1/16W J		R695	NRS181J-681X	MG RESISTOR	680Ω 1/8W J	
R601	NRSA63J-0R0X	MG RESISTOR	0Ω 1/16W J		R696	NRSA63J-153X	MG RESISTOR	15kΩ 1/16W J	
R602	NRSA63J-0R0X	MG RESISTOR	0Ω 1/16W J		R698	NRSA63J-330X	MG RESISTOR	33Ω 1/16W J	
R603	NRSA63J-0R0X	MG RESISTOR	0Ω 1/16W J		R699	NRSA63J-330X	MG RESISTOR	33Ω 1/16W J	
R604	NRSA63J-472X	MG RESISTOR	4.7kΩ 1/16W J		R701	NRSA63J-473X	MG RESISTOR	47kΩ 1/16W J	
R605	NRSA63J-472X	MG RESISTOR	4.7kΩ 1/16W J		R702	NRSA63J-103X	MG RESISTOR	10kΩ 1/16W J	
R606	NRSA63J-472X	MG RESISTOR	4.7kΩ 1/16W J		R704	NRSA63J-473X	MG RESISTOR	47kΩ 1/16W J	
R607	NRSA63J-0R0X	MG RESISTOR	0Ω 1/16W J		R705	NRSA63J-473X	MG RESISTOR	47kΩ 1/16W J	
R608	NRSA63J-0R0X	MG RESISTOR	0Ω 1/16W J		R709	NRSA63J-271X	MG RESISTOR	270Ω 1/16W J	
R609	NRSA63J-102X	MG RESISTOR	1kΩ 1/16W J		R710	NRSA63J-271X	MG RESISTOR	270Ω 1/16W J	
R610	NRSA63J-0R0X	MG RESISTOR	0Ω 1/16W J		R712	NRSA63J-101X	MG RESISTOR	100Ω 1/16W J	
R611	NRSA63J-100X	MG RESISTOR	10Ω 1/16W J		R713	NRSA63J-101X	MG RESISTOR	100Ω 1/16W J	
R612	NRSA63J-105X	MG RESISTOR	1MΩ 1/16W J		R714	NRSA63J-222X	MG RESISTOR	2.2kΩ 1/16W J	
R615	NRSA63J-0R0X	MG RESISTOR	0Ω 1/16W J		R715	NRSA63J-101X	MG RESISTOR	100Ω 1/16W J	
R616	NRSA63J-0R0X	MG RESISTOR	0Ω 1/16W J		R716	NRSA63J-101X	MG RESISTOR	100Ω 1/16W J	
R617	NRSA63J-0R0X	MG RESISTOR	0Ω 1/16W J		R717	NRSA63J-103X	MG RESISTOR	10kΩ 1/16W J	
R618	NRSA63J-0R0X	MG RESISTOR	0Ω 1/16W J		R718	NRSA63J-103X	MG RESISTOR	10kΩ 1/16W J	
R620	NRSA63J-104X	MG RESISTOR	100kΩ 1/16W J		R719	NRSA63J-0R0X	MG RESISTOR	0Ω 1/16W J	
R621	NRSA63J-472X	MG RESISTOR	4.7kΩ 1/16W J		R720	NRSA63J-122X	MG RESISTOR	1.2kΩ 1/16W J	
R625	NRSA63J-103X	MG RESISTOR	10kΩ 1/16W J		R721	NRSA63J-102X	MG RESISTOR	1kΩ 1/16W J	
R626	NRSA63J-0R0X	MG RESISTOR	0Ω 1/16W J		R722	NRSA63J-103X	MG RESISTOR	10kΩ 1/16W J	
R629	NRSA63J-0R0X	MG RESISTOR	0Ω 1/16W J		R724	NRSA63J-271X	MG RESISTOR	270Ω 1/16W J	
R635	NRSA63J-472X	MG RESISTOR	4.7kΩ 1/16W J		R727	NRSA63J-102X	MG RESISTOR	1kΩ 1/16W J	
R639	NRSA63J-473X	MG RESISTOR	47kΩ 1/16W J		R728	NRSA63J-101X	MG RESISTOR	100Ω 1/16W J	
R641	NRSA63J-102X	MG RESISTOR	1kΩ 1/16W J		R731	NRSA63J-473X	MG RESISTOR	47kΩ 1/16W J	
R643	NRSA63J-0R0X	MG RESISTOR	0Ω 1/16W J	704UI,70 5U,705U N,705UH, 706U,706 UN,706U H,708UF	R732	NRSA63J-103X	MG RESISTOR	10kΩ 1/16W J	701E,701 EX,701E Y,701EU, 707EE
R644	NRSA63J-472X	MG RESISTOR	4.7kΩ 1/16W J	700J,701 E,701EX, 701EY,70 1EU,707 EE	R734	NRSA63J-222X	MG RESISTOR	2.2kΩ 1/16W J	
R645	NRSA63J-0R0X	MG RESISTOR	0Ω 1/16W J	704UI,70 5U,705U N,705UH, 706U,706 UN,706U H,708UF	R735	NRSA63J-222X	MG RESISTOR	2.2kΩ 1/16W J	
R646	NRSA63J-472X	MG RESISTOR	4.7kΩ 1/16W J		R736	NRSA63J-222X	MG RESISTOR	2.2kΩ 1/16W J	
R647	NRSA63J-0R0X	MG RESISTOR	0Ω 1/16W J		R737	NRSA63J-0R0X	MG RESISTOR	0Ω 1/16W J	
R648	NRSA63J-473X	MG RESISTOR	47kΩ 1/16W J		R738	NRSA63J-472X	MG RESISTOR	4.7kΩ 1/16W J	
R651	NRSA63J-473X	MG RESISTOR	47kΩ 1/16W J		R739	NRSA63J-472X	MG RESISTOR	4.7kΩ 1/16W J	
R654	NRSA63J-100X	MG RESISTOR	10Ω 1/16W J		R740	NRSA63J-472X	MG RESISTOR	4.7kΩ 1/16W J	
R655	NRSA63J-100X	MG RESISTOR	10Ω 1/16W J		R741	NRSA63J-101X	MG RESISTOR	100Ω 1/16W J	
R660	NRSA63J-122X	MG RESISTOR	1.2kΩ 1/16W J		R742	NRSA63J-101X	MG RESISTOR	100Ω 1/16W J	
R661	NRSA63J-472X	MG RESISTOR	4.7kΩ 1/16W J		R743	NRSA63J-103X	MG RESISTOR	10kΩ 1/16W J	
R662	NRSA63J-472X	MG RESISTOR	4.7kΩ 1/16W J		R744	NRSA63J-103X	MG RESISTOR	10kΩ 1/16W J	
R663	NRSA63J-223X	MG RESISTOR	22kΩ 1/16W J		R745	NRSA63J-103X	MG RESISTOR	10kΩ 1/16W J	
R664	NRSA63J-472X	MG RESISTOR	4.7kΩ 1/16W J		R746	NRSA63J-103X	MG RESISTOR	10kΩ 1/16W J	
R665	NRSA63J-201X	MG RESISTOR	200Ω 1/16W J		R747	NRSA63J-472X	MG RESISTOR	4.7kΩ 1/16W J	
R666	NRSA63J-223X	MG RESISTOR	22kΩ 1/16W J		R748	NRSA63J-472X	MG RESISTOR	4.7kΩ 1/16W J	
R667	NRSA63J-472X	MG RESISTOR	4.7kΩ 1/16W J		R749	NRSA63J-472X	MG RESISTOR	4.7kΩ 1/16W J	
R668	NRSA63J-201X	MG RESISTOR	200Ω 1/16W J		R750	NRSA63J-103X	MG RESISTOR	10kΩ 1/16W J	
R669	NRSA63J-102X	MG RESISTOR	1kΩ 1/16W J		R751	NRSA63J-103X	MG RESISTOR	10kΩ 1/16W J	
R670	NRSA63J-122X	MG RESISTOR	1.2kΩ 1/16W J		R752	NRSA63J-473X	MG RESISTOR	47kΩ 1/16W J	
R671	NRSA63J-472X	MG RESISTOR	4.7kΩ 1/16W J		R753	NRSA63J-473X	MG RESISTOR	47kΩ 1/16W J	
R672	NRSA63J-472X	MG RESISTOR	4.7kΩ 1/16W J		R755	NRSA63J-106X	MG RESISTOR	10MΩ 1/16W J	
R673	NRSA63J-223X	MG RESISTOR	22kΩ 1/16W J		R756	NRSA63J-473X	MG RESISTOR	47kΩ 1/16W J	
R674	NRSA63J-472X	MG RESISTOR	4.7kΩ 1/16W J		R757	NRSA63J-222X	MG RESISTOR	2.2kΩ 1/16W J	
R675	NRSA63J-201X	MG RESISTOR	200Ω 1/16W J		R758	NRSA63J-473X	MG RESISTOR	47kΩ 1/16W J	
R676	NRSA63J-223X	MG RESISTOR	22kΩ 1/16W J		R759	NRSA63J-103X	MG RESISTOR	10kΩ 1/16W J	700J,701 E,701EX, 701EY,70 1EU
R677	NRSA63J-472X	MG RESISTOR	4.7kΩ 1/16W J		R760	NRSA63J-103X	MG RESISTOR	10kΩ 1/16W J	704UI,70 5U,705U N,705UH, 706U,706 UN,706U H,707EE, 708UF
R678	NRSA63J-201X	MG RESISTOR	200Ω 1/16W J		R766	NRSA63J-222X	MG RESISTOR	2.2kΩ 1/16W J	700J,701 E,701EX, 701EY,70 1EU
R679	NRSA63J-102X	MG RESISTOR	1kΩ 1/16W J						

△ Symbol No.	Part No.	Part Name	Description	Local	△ Symbol No.	Part No.	Part Name	Description	Local
R767	NRSA63J-223X	MG RESISTOR	22kΩ 1/16W J	700J,701 E,701EX, 701EY,70 1EU	L601	NQL38DK-330X	COIL	33uH K	
R771	NRSA63J-271X	MG RESISTOR	270Ω 1/16W J	701E,701 EX,701E Y,701EU, 707EE	L603	NQL093K-R12X	COIL	0.12uH K	
R772	NRSA63J-271X	MG RESISTOR	270Ω 1/16W J	701E,701 EX,701E Y,701EU, 707EE	L604	NQL093K-R12X	COIL	0.12uH K	
R774	NRSA63J-473X	MG RESISTOR	47kΩ 1/16W J		L681	NQL71EM-330X	COIL	33uH M	
R775	NRSA63J-473X	MG RESISTOR	47kΩ 1/16W J		L701	QQL244J-4R7Z	P COIL	4.7uH J	
R776	NRSA63J-473X	MG RESISTOR	47kΩ 1/16W J		L702	NQL114M-4R7X	COIL	4.7uH M	
R777	NRSA63J-473X	MG RESISTOR	47kΩ 1/16W J		L901	QQR0703-001	CHOKE COIL		
R781	NRSA63J-473X	MG RESISTOR	47kΩ 1/16W J		L932	NQLE74M-100X	COIL	10uH M	
R782	NRSA63J-0R0X	MG RESISTOR	0Ω 1/16W J		L5002	NQL79GM-470X	COIL	47uH M	
R783	NRSA63J-0R0X	MG RESISTOR	0Ω 1/16W J		L5003	NQL093K-1R8X	COIL	1.8uH K	
R784	NRSA63J-101X	MG RESISTOR	100Ω 1/16W J		L5004	NQL093K-1R8X	COIL	1.8uH K	
R785	NRSA63J-101X	MG RESISTOR	100Ω 1/16W J		CN261	QGA2501C1-03	CONNECTOR	W-B (1-3)	
R786	NRSA63J-101X	MG RESISTOR	100Ω 1/16W J		CN323	QGA2001F1-07	CONNECTOR	W-B (1-7)	
R787	NRSA63J-101X	MG RESISTOR	100Ω 1/16W J		CN501	QGB2027M4-22S	CONNECTOR	B-B (1-22)	
R789	NRSA63J-0R0X	MG RESISTOR	0Ω 1/16W J		CN691	QGB1004K1-06	CONNECTOR	B-B (1-6)	
R790	NRSA63J-101X	MG RESISTOR	100Ω 1/16W J		CN701	QGB1004K1-24	CONNECTOR	B-B (1-24)	
R796	NRSA63J-223X	MG RESISTOR	22kΩ 1/16W J		CN702	QGA2001C1-02	CONNECTOR	W-B (1-2)	700J,701 E,701EX, 701EY,70 1EU
R797	NRSA63J-103X	MG RESISTOR	10kΩ 1/16W J		CN901	QNZ0611-001	16P CONNECTOR		
R798	NRSA63J-223X	MG RESISTOR	22kΩ 1/16W J		J1	QNB0190-001	CAR ANT JACK		
R801	NRSA63J-473X	MG RESISTOR	47kΩ 1/16W J		J801	QNZ0095-001	CONNECTOR		
R802	NRSA63J-473X	MG RESISTOR	47kΩ 1/16W J		K641	NQR0502-001X	FERRITE BEADS		
R803	NRSA63J-101X	MG RESISTOR	100Ω 1/16W J		K642	NQR0502-001X	FERRITE BEADS		
R804	NRSA63J-223X	MG RESISTOR	22kΩ 1/16W J		K643	NQR0502-001X	FERRITE BEADS		
R805	NRSA63J-104X	MG RESISTOR	100kΩ 1/16W J		K644	NQR0502-001X	FERRITE BEADS		
R806	NRSA63J-103X	MG RESISTOR	10kΩ 1/16W J		PP1	QZV0010-001	STYLE PIN		700J,701 E,701EX, 701EY,70 1EU
R807	NRSA63J-104X	MG RESISTOR	100kΩ 1/16W J		△ TU1	QAU0484-001	TUNER PACK		700J,701 E,701EX, 701EY,70 1EU,704 UI,705U, 705UN,7 05UH,70 6U,706U N,706UH, 708UF 707EE
R808	NRSA63J-331X	MG RESISTOR	330Ω 1/16W J		△ TU1	QAU0485-001	TUNER PACK		701E,701 EX,701E Y,701EU, 707EE
R809	NRSA63J-223X	MG RESISTOR	22kΩ 1/16W J		X71	QAX0263-001Z	CRYSTAL	4.332MHz	
R810	NRSA63J-101X	MG RESISTOR	100Ω 1/16W J		X602	NAX0832-001X	CRYSTAL		
R851	NRSA63J-103X	MG RESISTOR	10kΩ 1/16W J	704UI,70 5U,705U N,705UH, 706U,706 UN,706U H,708UF	X701	QAX0916-001Z	CRYSTAL		
R881	NRSA63J-473X	MG RESISTOR	47kΩ 1/16W J		X702	QAX0401-001	CRYSTAL	32.768KHz	
R882	NRSA63J-472X	MG RESISTOR	4.7kΩ 1/16W J		X5001	QAX0413-001Z	CRYSTAL	16.9344MHz	
R891	NRSA63J-102X	MG RESISTOR	1kΩ 1/16W J						
R892	NRSA63J-473X	MG RESISTOR	47kΩ 1/16W J						
R901	QRE142J-102X	C RESISTOR	1kΩ 1/4W J						
R902	NRSA02J-912X	MG RESISTOR	9.1kΩ 1/10W J						
R903	NRSA02J-472X	MG RESISTOR	4.7kΩ 1/10W J						
R931	NRSA63J-473X	MG RESISTOR	47kΩ 1/16W J						
R932	NRSA63J-102X	MG RESISTOR	1kΩ 1/16W J						
R971	NRS181J-222X	MG RESISTOR	2.2kΩ 1/8W J						
R972	NRS181J-222X	MG RESISTOR	2.2kΩ 1/8W J						
R976	NRSA02J-273X	MG RESISTOR	27kΩ 1/10W J						
R977	NRSA02J-123X	MG RESISTOR	12kΩ 1/10W J						
R5001	NRSA63J-101X	MG RESISTOR	100Ω 1/16W J						
R5002	NRSA63J-105X	MG RESISTOR	1MΩ 1/16W J						
R5003	NRSA63J-102X	MG RESISTOR	1kΩ 1/16W J						
R5006	NRS181J-122X	MG RESISTOR	1.2kΩ 1/8W J						
R5007	NRSA63J-470X	MG RESISTOR	47Ω 1/16W J						
R5008	NRSA63J-470X	MG RESISTOR	47Ω 1/16W J						
R5009	NRSA63J-470X	MG RESISTOR	47Ω 1/16W J						
R5010	NRSA63J-101X	MG RESISTOR	100Ω 1/16W J						
R5011	NRSA63J-101X	MG RESISTOR	100Ω 1/16W J						
R5012	NRSA63J-101X	MG RESISTOR	100Ω 1/16W J						
R5015	NRSA63J-103X	MG RESISTOR	10kΩ 1/16W J						
R5016	NRSA63J-473X	MG RESISTOR	47kΩ 1/16W J						
R6393	NRSA63J-102X	MG RESISTOR	1kΩ 1/16W J						
R6394	NRSA63J-470X	MG RESISTOR	47Ω 1/16W J						
R6396	NRSA63J-470X	MG RESISTOR	47Ω 1/16W J						
R6397	NRSA63J-470X	MG RESISTOR	47Ω 1/16W J						
R6398	NRSA63J-0R0X	MG RESISTOR	0Ω 1/16W J						
R6399	NRSA63J-0R0X	MG RESISTOR	0Ω 1/16W J						
RA601	NRZ0065-472X	MG RESISTOR	4.7kΩ						
L1	QQL244J-4R7Z	P COIL	4.7uH J						
L571	NQL114K-470X	INDUCTOR	47uH K						
L572	NQL114K-470X	INDUCTOR	47uH K						

Switch board (except KW-XG700J)

Block No. [0][2]

△ Symbol No.	Part No.	Part Name	Description	Local
IC602	PT6523LQ-L	IC		
IC603	PT6523LQ-L	IC		
IC604	NJL29H380A	REMOCON RCV		
Q6100	2SC3928A/QR/-X	TRANSISTOR		
Q6100 or	2SD601A/QR/-X	TRANSISTOR		
Q6101	2SC3928A/QR/-X	TRANSISTOR		
Q6101 or	2SD601A/QR/-X	TRANSISTOR		
Q6102	2SC3928A/QR/-X	TRANSISTOR		
Q6102 or	2SD601A/QR/-X	TRANSISTOR		
Q6103	2SC3928A/QR/-X	TRANSISTOR		
Q6103 or	2SD601A/QR/-X	TRANSISTOR		
Q6104	2SC3928A/QR/-X	TRANSISTOR		
Q6104 or	2SD601A/QR/-X	TRANSISTOR		
Q6105	2SC3928A/QR/-X	TRANSISTOR		
Q6105 or	2SD601A/QR/-X	TRANSISTOR		
Q6106	2SC3928A/QR/-X	TRANSISTOR		
Q6106 or	2SD601A/QR/-X	TRANSISTOR		
Q6107	2SC3928A/QR/-X	TRANSISTOR		

△ Symbol No.	Part No.	Part Name	Description	Local	△ Symbol No.	Part No.	Part Name	Description	Local
Q6107	or 2SD601A/QR/-X	TRANSISTOR			D6205	LSQ971/KL/-X	LED		701E,701 EX,701EY, 701EU,70 7EE
Q6108	2SC3928A/QR/-X	TRANSISTOR							
Q6108	or 2SD601A/QR/-X	TRANSISTOR			D6205	LHQ974/LM/-X	LED		704UI,705 U,705UN, 705UH,70 6U,706UN ,706UH,70 8UF
Q6109	2SC3928A/QR/-X	TRANSISTOR							
Q6109	or 2SD601A/QR/-X	TRANSISTOR			D6206	LSQ971/KL/-X	LED		701E,701 EX,701EY, 701EU,70 7EE
Q6110	2SC3928A/QR/-X	TRANSISTOR							
Q6110	or 2SD601A/QR/-X	TRANSISTOR			D6206	LHQ974/LM/-X	LED		704UI,705 U,705UN, 705UH,70 6U,706UN ,706UH,70 8UF
Q6111	2SC3928A/QR/-X	TRANSISTOR							
Q6111	or 2SD601A/QR/-X	TRANSISTOR			D6207	LSQ971/KL/-X	LED		701E,701 EX,701EY, 701EU,70 7EE
Q6112	2SC3928A/QR/-X	TRANSISTOR							
Q6112	or 2SD601A/QR/-X	TRANSISTOR			D6207	LHQ974/LM/-X	LED		704UI,705 U,705UN, 705UH,70 6U,706UN ,706UH,70 8UF
Q6113	2SC3928A/QR/-X	TRANSISTOR							
Q6113	or 2SD601A/QR/-X	TRANSISTOR			D6207	LSQ971/KL/-X	LED		701E,701 EX,701EY, 701EU,70 7EE
Q6114	2SC3928A/QR/-X	TRANSISTOR							
Q6114	or 2SD601A/QR/-X	TRANSISTOR			D6207	LHQ974/LM/-X	LED		704UI,705 U,705UN, 705UH,70 6U,706UN ,706UH,70 8UF
Q6115	2SC3928A/QR/-X	TRANSISTOR							
Q6115	or 2SD601A/QR/-X	TRANSISTOR			D6207	LSQ971/KL/-X	LED		701E,701 EX,701EY, 701EU,70 7EE
Q6116	2SC3928A/QR/-X	TRANSISTOR							
Q6116	or 2SD601A/QR/-X	TRANSISTOR			D6207	LHQ974/LM/-X	LED		704UI,705 U,705UN, 705UH,70 6U,706UN ,706UH,70 8UF
Q6117	2SC3928A/QR/-X	TRANSISTOR							
Q6117	or 2SD601A/QR/-X	TRANSISTOR			D6207	LSQ971/KL/-X	LED		701E,701 EX,701EY, 701EU,70 7EE
Q6200	2SA1365/F/-X	TRANSISTOR							
Q6201	RT1N141C-X	DIGI TRANSISTOR			D6207	LHQ974/LM/-X	LED		704UI,705 U,705UN, 705UH,70 6U,706UN ,706UH,70 8UF
Q6201	or UN2211-X	TRANSISTOR							
D6100	NSCM315C/Z/-W	LED							
D6101	NSCM315C/Z/-W	LED			D6208	LSQ971/KL/-X	LED		701E,701 EX,701EY, 701EU,70 7EE
D6102	NSCM315C/Z/-W	LED							
D6103	UDZW6.2B-X	Z DIODE			D6208	LHQ974/LM/-X	LED		704UI,705 U,705UN, 705UH,70 6U,706UN ,706UH,70 8UF
D6103	or MA8062/M/-X	Z DIODE							
D6104	UDZW6.2B-X	Z DIODE			D6209	LSQ971/KL/-X	LED		701E,701 EX,701EY, 701EU,70 7EE
D6104	or MA8062/M/-X	Z DIODE							
D6105	UDZW6.2B-X	Z DIODE			D6209	LHQ974/LM/-X	LED		704UI,705 U,705UN, 705UH,70 6U,706UN ,706UH,70 8UF
D6105	or MA8062/M/-X	Z DIODE							
D6106	UDZW6.2B-X	Z DIODE			D6209	LSQ971/KL/-X	LED		701E,701 EX,701EY, 701EU,70 7EE
D6106	or MA8062/M/-X	Z DIODE							
D6107	UDZW6.2B-X	Z DIODE			D6210	LSQ971/KL/-X	LED		701E,701 EX,701EY, 701EU,70 7EE
D6107	or MA8062/M/-X	Z DIODE							
D6108	UDZW6.2B-X	Z DIODE			D6210	LHQ974/LM/-X	LED		704UI,705 U,705UN, 705UH,70 6U,706UN ,706UH,70 8UF
D6108	or MA8062/M/-X	Z DIODE							
D6109	UDZW6.2B-X	Z DIODE			D6210	LSQ971/KL/-X	LED		701E,701 EX,701EY, 701EU,70 7EE
D6109	or MA8062/M/-X	Z DIODE							
D6110	UDZW6.2B-X	Z DIODE			D6210	LHQ974/LM/-X	LED		704UI,705 U,705UN, 705UH,70 6U,706UN ,706UH,70 8UF
D6110	or MA8062/M/-X	Z DIODE							
D6111	UDZW6.2B-X	Z DIODE			D6210	LSQ971/KL/-X	LED		701E,701 EX,701EY, 701EU,70 7EE
D6111	or MA8062/M/-X	Z DIODE							
D6200	MC2838-X	DIODE			D6210	LHQ974/LM/-X	LED		704UI,705 U,705UN, 705UH,70 6U,706UN ,706UH,70 8UF
D6200	or MA152WK-X	SI DIODE							
D6201	LHQ974/LM/-X	LED			D6210	LHQ974/LM/-X	LED		701E,701 EX,701EY, 701EU,70 7EE
D6202	LSQ971/KL/-X	LED		701E,701 EX,701EY, 701EU,70 7EE					
D6202	LHQ974/LM/-X	LED		704UI,705 U,705UN, 705UH,70 6U,706UN ,706UH,70 8UF	D6211	LSQ971/KL/-X	LED		701E,701 EX,701EY, 701EU,70 7EE
D6203	LSQ971/KL/-X	LED		701E,701 EX,701EY, 701EU,70 7EE	D6211	LHQ974/LM/-X	LED		704UI,705 U,705UN, 705UH,70 6U,706UN ,706UH,70 8UF
D6203	LHQ974/LM/-X	LED		704UI,705 U,705UN, 705UH,70 6U,706UN ,706UH,70 8UF	D6212	LSQ971/KL/-X	LED		701E,701 EX,701EY, 701EU,70 7EE
D6204	LSQ971/KL/-X	LED		701E,701 EX,701EY, 701EU,70 7EE	D6212	LHQ974/LM/-X	LED		704UI,705 U,705UN, 705UH,70 6U,706UN ,706UH,70 8UF
D6204	LHQ974/LM/-X	LED		704UI,705 U,705UN, 705UH,70 6U,706UN ,706UH,70 8UF	D6213	LSQ971/KL/-X	LED		701E,701 EX,701EY, 701EU,70 7EE

△ Symbol No.	Part No.	Part Name	Description	Local	△ Symbol No.	Part No.	Part Name	Description	Local
D6213	LHQ974/LM/-X	LED		704UI,705U,705UN,705UH,706U,706UN,706UH,708UF	D6222	LSQ971/KL/-X	LED		701E,701EX,701EY,701EU,707EE
D6214	LSQ971/KL/-X	LED		701E,701EX,701EY,701EU,707EE	D6222	LHQ974/LM/-X	LED		704UI,705U,705UN,705UH,706U,706UN,706UH,708UF
D6214	LHQ974/LM/-X	LED		704UI,705U,705UN,705UH,706U,706UN,706UH,708UF	D6223	LSQ971/KL/-X	LED		701E,701EX,701EY,701EU,707EE
D6215	LSQ971/KL/-X	LED		701E,701EX,701EY,701EU,707EE	D6223	LHQ974/LM/-X	LED		704UI,705U,705UN,705UH,706U,706UN,706UH,708UF
D6215	LHQ974/LM/-X	LED		704UI,705U,705UN,705UH,706U,706UN,706UH,708UF	D6224	LSQ971/KL/-X	LED		701E,701EX,701EY,701EU,707EE
D6216	LSQ971/KL/-X	LED		701E,701EX,701EY,701EU,707EE	D6224	LHQ974/LM/-X	LED		704UI,705U,705UN,705UH,706U,706UN,706UH,708UF
D6216	LHQ974/LM/-X	LED		704UI,705U,705UN,705UH,706U,706UN,706UH,708UF	D6360	UDZW5.1B-X	SB DIODE		
D6217	LSQ971/KL/-X	LED		701E,701EX,701EY,701EU,707EE	D6360	or MA8051/M/-X	Z DIODE		
D6217	LHQ974/LM/-X	LED		704UI,705U,705UN,705UH,706U,706UN,706UH,708UF	D6361	UDZW5.1B-X	SB DIODE		
D6218	LSQ971/KL/-X	LED		701E,701EX,701EY,701EU,707EE	D6361	or MA8051/M/-X	Z DIODE		
D6218	LHQ974/LM/-X	LED		704UI,705U,705UN,705UH,706U,706UN,706UH,708UF	D6400	1SS355W-X	DIODE		
D6219	LSQ971/KL/-X	LED		701E,701EX,701EY,701EU,707EE	D6400	or MA111-X	SI DIODE		
D6219	LHQ974/LM/-X	LED		704UI,705U,705UN,705UH,706U,706UN,706UH,708UF	D6401	UDZW5.1B-X	SB DIODE		
D6220	LSQ971/KL/-X	LED		701E,701EX,701EY,701EU,707EE	D6401	or MA8051/M/-X	Z DIODE		
D6220	LHQ974/LM/-X	LED		704UI,705U,705UN,705UH,706U,706UN,706UH,708UF	D6410	1SS355W-X	DIODE		
D6221	LSQ971/KL/-X	LED		701E,701EX,701EY,701EU,707EE	D6410	or MA111-X	SI DIODE		
D6221	LHQ974/LM/-X	LED		704UI,705U,705UN,705UH,706U,706UN,706UH,708UF	D6411	UDZW5.1B-X	SB DIODE		
					D6411	or MA8051/M/-X	Z DIODE		
					C6100	NCB31EK-473X	C CAPACITOR	0.047uF 25V K	
					C6101	NCB31EK-473X	C CAPACITOR	0.047uF 25V K	
					C6102	NCB31EK-473X	C CAPACITOR	0.047uF 25V K	
					C6103	NCB31EK-473X	C CAPACITOR	0.047uF 25V K	
					C6104	NCB31EK-473X	C CAPACITOR	0.047uF 25V K	
					C6105	NCB31EK-473X	C CAPACITOR	0.047uF 25V K	
					C6106	NCB31EK-473X	C CAPACITOR	0.047uF 25V K	
					C6107	NCB31EK-473X	C CAPACITOR	0.047uF 25V K	
					C6108	NCB31EK-473X	C CAPACITOR	0.047uF 25V K	
					C6109	NBE20JM-475X	TA E CAPACITOR	4.7uF 6.3V M	
					C6110	NBE20JM-475X	TA E CAPACITOR	4.7uF 6.3V M	
					C6111	NBE20JM-475X	TA E CAPACITOR	4.7uF 6.3V M	
					C6320	NCB31HK-103X	C CAPACITOR	0.01uF 50V K	
					C6321	NCB31HK-103X	C CAPACITOR	0.01uF 50V K	
					C6350	NCB31HK-472X	C CAPACITOR	4700pF 50V K	
					C6351	NCB31HK-472X	C CAPACITOR	4700pF 50V K	
					C6352	NCB31CK-473X	C CAPACITOR	0.047uF 16V K	
					C6400	NCB21AK-105X	C CAPACITOR	1uF 10V K	
					C6401	NCB31CK-223X	C CAPACITOR	0.022uF 16V K	
					C6402	NCS31HJ-681X	C CAPACITOR	680pF 50V J	
					C6410	NCB21AK-105X	C CAPACITOR	1uF 10V K	
					C6411	NCB31CK-223X	C CAPACITOR	0.022uF 16V K	
					C6412	NCS31HJ-681X	C CAPACITOR	680pF 50V J	
					R6100	NRSA63J-471X	MG RESISTOR	470Ω 1/16W J	
					R6101	NRSA63J-471X	MG RESISTOR	470Ω 1/16W J	
					R6102	NRSA63J-471X	MG RESISTOR	470Ω 1/16W J	
					R6103	NRSA63J-561X	MG RESISTOR	560Ω 1/16W J	
					R6104	NRSA63J-561X	MG RESISTOR	560Ω 1/16W J	
					R6105	NRSA63J-561X	MG RESISTOR	560Ω 1/16W J	
					R6106	NRSA63J-391X	MG RESISTOR	390Ω 1/16W J	
					R6107	NRSA63J-391X	MG RESISTOR	390Ω 1/16W J	
					R6108	NRSA63J-391X	MG RESISTOR	390Ω 1/16W J	
					R6109	NRSA63J-471X	MG RESISTOR	470Ω 1/16W J	
					R6110	NRSA63J-471X	MG RESISTOR	470Ω 1/16W J	
					R6111	NRSA63J-471X	MG RESISTOR	470Ω 1/16W J	
					R6112	NRSA63J-561X	MG RESISTOR	560Ω 1/16W J	
					R6113	NRSA63J-561X	MG RESISTOR	560Ω 1/16W J	

△ Symbol No.	Part No.	Part Name	Description	Local
D6122	LHQ974/LM/-X	LED		
D6123	LHQ974/LM/-X	LED		
D6124	LHQ974/LM/-X	LED		
D6125	LHQ974/LM/-X	LED		
D6126	LHQ974/LM/-X	LED		
D6127	LHQ974/LM/-X	LED		
D6130	MC2838-X	DIODE		
D6130	or MA152WK-X	SI DIODE		
D6360	UDZW5.1B-X	SB DIODE		
D6360	or MA8051/M/-X	Z DIODE		
D6361	UDZW5.1B-X	SB DIODE		
D6361	or MA8051/M/-X	Z DIODE		
D6401	1SS355W-X	DIODE		
D6401	or MA111-X	SI DIODE		
D6402	UDZW5.1B-X	SB DIODE		
D6402	or MA8051/M/-X	Z DIODE		
D6411	1SS355W-X	DIODE		
D6411	or MA111-X	SI DIODE		
D6412	UDZW5.1B-X	SB DIODE		
D6412	or MA8051/M/-X	Z DIODE		

△ Symbol No.	Part No.	Part Name	Description	Local
R6314	NRSA63J-272X	MG RESISTOR	2.7kΩ 1/16W J	
R6320	NRSA63J-0R0X	MG RESISTOR	0Ω 1/16W J	
R6360	NRSA63J-153X	MG RESISTOR	15kΩ 1/16W J	
R6361	NRSA63J-153X	MG RESISTOR	15kΩ 1/16W J	
R6400	NRSA63J-222X	MG RESISTOR	2.2kΩ 1/16W J	
R6401	NRSA63J-222X	MG RESISTOR	2.2kΩ 1/16W J	
R6402	NRSA63J-513X	MG RESISTOR	51kΩ 1/16W J	
R6403	NRSA63J-101X	MG RESISTOR	100Ω 1/16W J	
R6404	NRSA63J-101X	MG RESISTOR	100Ω 1/16W J	
R6405	NRSA63J-101X	MG RESISTOR	100Ω 1/16W J	
R6406	NRSA63J-225X	MG RESISTOR	2.2MΩ 1/16W J	
R6407	NRSA63J-104X	MG RESISTOR	100kΩ 1/16W J	
R6412	NRSA63J-513X	MG RESISTOR	51kΩ 1/16W J	
R6413	NRSA63J-101X	MG RESISTOR	100Ω 1/16W J	
R6414	NRSA63J-101X	MG RESISTOR	100Ω 1/16W J	
R6415	NRSA63J-101X	MG RESISTOR	100Ω 1/16W J	
R6416	NRSA63J-225X	MG RESISTOR	2.2MΩ 1/16W J	
R6417	NRSA63J-104X	MG RESISTOR	100kΩ 1/16W J	
L6360	NQR0536-001X	CHOKO COIL		

C6201	NCB31HK-472X	C CAPACITOR	4700pF 50V K	
C6202	NCB31HK-472X	C CAPACITOR	4700pF 50V K	
C6203	NCB31CK-473X	C CAPACITOR	0.047uF 16V K	
C6301	NCB31HK-103X	C CAPACITOR	0.01uF 50V K	
C6302	NCB31HK-103X	C CAPACITOR	0.01uF 50V K	
C6401	NCS31HJ-681X	C CAPACITOR	680pF 50V J	
C6402	NCB31CK-223X	C CAPACITOR	0.022uF 16V K	
C6403	NCB21AK-105X	C CAPACITOR	1uF 10V K	
C6411	NCS31HJ-681X	C CAPACITOR	680pF 50V J	
C6412	NCB31CK-223X	C CAPACITOR	0.022uF 16V K	
C6413	NCB21AK-105X	C CAPACITOR	1uF 10V K	

CN601	QGB1004J2-24X	CONNECTOR	B-B (1-24)	
CN602	QGB1004J2-06X	CONNECTOR	B-B (1-6)	
CN603	QNZ0906-001	CONNECTOR		
EN601	QSW1227-001	ROTARY ENCODER		
PJ601	QNS0180-002	3.5 JACK		
S6201	NSW0206-001X	TACT SWITCH		
S6300	NSW0246-001X	TACT SWITCH		
S6301	NSW0206-001X	TACT SWITCH		
S6302	NSW0206-001X	TACT SWITCH		
S6303	NSW0206-001X	TACT SWITCH		
S6304	NSW0206-001X	TACT SWITCH		
S6305	NSW0206-001X	TACT SWITCH		
S6306	NSW0206-001X	TACT SWITCH		
S6307	NSW0206-001X	TACT SWITCH		
S6308	NSW0206-001X	TACT SWITCH		
S6309	NSW0206-001X	TACT SWITCH		
S6310	NSW0206-001X	TACT SWITCH		
S6311	NSW0246-001X	TACT SWITCH		
S6312	NSW0206-001X	TACT SWITCH		
S6313	NSW0206-001X	TACT SWITCH		
S6314	NSW0206-001X	TACT SWITCH		
S6315	NSW0206-001X	TACT SWITCH		
S6316	NSW0206-001X	TACT SWITCH		
S6317	NSW0206-001X	TACT SWITCH		

R6001	NRSA02J-102X	MG RESISTOR	1kΩ 1/10W J	
R6002	NRSA63J-472X	MG RESISTOR	4.7kΩ 1/16W J	
R6003	NRSA02J-121X	MG RESISTOR	120Ω 1/10W J	
R6101	NRSA63J-681X	MG RESISTOR	680Ω 1/16W J	
R6102	NRSA63J-681X	MG RESISTOR	680Ω 1/16W J	
R6103	NRSA63J-681X	MG RESISTOR	680Ω 1/16W J	
R6104	NRSA63J-681X	MG RESISTOR	680Ω 1/16W J	
R6105	NRSA63J-681X	MG RESISTOR	680Ω 1/16W J	
R6106	NRSA63J-681X	MG RESISTOR	680Ω 1/16W J	
R6107	NRSA63J-122X	MG RESISTOR	1.2kΩ 1/16W J	
R6108	NRSA63J-122X	MG RESISTOR	1.2kΩ 1/16W J	
R6109	NRSA63J-122X	MG RESISTOR	1.2kΩ 1/16W J	
R6110	NRSA63J-122X	MG RESISTOR	1.2kΩ 1/16W J	
R6111	NRSA63J-431X	MG RESISTOR	430Ω 1/16W J	
R6113	NRSA63J-431X	MG RESISTOR	430Ω 1/16W J	
R6117	NRSA63J-471X	MG RESISTOR	470Ω 1/16W J	
R6119	NRSA63J-471X	MG RESISTOR	470Ω 1/16W J	
R6121	NRSA63J-471X	MG RESISTOR	470Ω 1/16W J	
R6123	NRSA63J-471X	MG RESISTOR	470Ω 1/16W J	
R6125	NRSA63J-471X	MG RESISTOR	470Ω 1/16W J	
R6127	NRSA63J-471X	MG RESISTOR	470Ω 1/16W J	
R6129	NRSA63J-471X	MG RESISTOR	470Ω 1/16W J	
R6131	NRSA63J-471X	MG RESISTOR	470Ω 1/16W J	
R6133	NRSA63J-821X	MG RESISTOR	820Ω 1/16W J	
R6135	NRSA63J-471X	MG RESISTOR	470Ω 1/16W J	
R6201	NRSA63J-473X	MG RESISTOR	47kΩ 1/16W J	
R6202	NRSA63J-473X	MG RESISTOR	47kΩ 1/16W J	
R6203	NRSA63J-471X	MG RESISTOR	470Ω 1/16W J	
R6204	NRSA63J-0R0X	MG RESISTOR	0Ω 1/16W J	
R6206	NRSA63J-103X	MG RESISTOR	10kΩ 1/16W J	
R6207	NRSA63J-471X	MG RESISTOR	470Ω 1/16W J	
R6300	NRSA63J-821X	MG RESISTOR	820Ω 1/16W J	
R6301	NRSA63J-102X	MG RESISTOR	1kΩ 1/16W J	
R6302	NRSA63J-122X	MG RESISTOR	1.2kΩ 1/16W J	
R6303	NRSA63J-182X	MG RESISTOR	1.8kΩ 1/16W J	
R6304	NRSA63J-272X	MG RESISTOR	2.7kΩ 1/16W J	
R6305	NRSA63J-821X	MG RESISTOR	820Ω 1/16W J	
R6306	NRSA63J-102X	MG RESISTOR	1kΩ 1/16W J	
R6307	NRSA63J-122X	MG RESISTOR	1.2kΩ 1/16W J	
R6308	NRSA63J-182X	MG RESISTOR	1.8kΩ 1/16W J	
R6309	NRSA63J-272X	MG RESISTOR	2.7kΩ 1/16W J	
R6310	NRSA63J-821X	MG RESISTOR	820Ω 1/16W J	
R6311	NRSA63J-102X	MG RESISTOR	1kΩ 1/16W J	
R6312	NRSA63J-122X	MG RESISTOR	1.2kΩ 1/16W J	
R6313	NRSA63J-182X	MG RESISTOR	1.8kΩ 1/16W J	

Function board

Block No. [0][4]

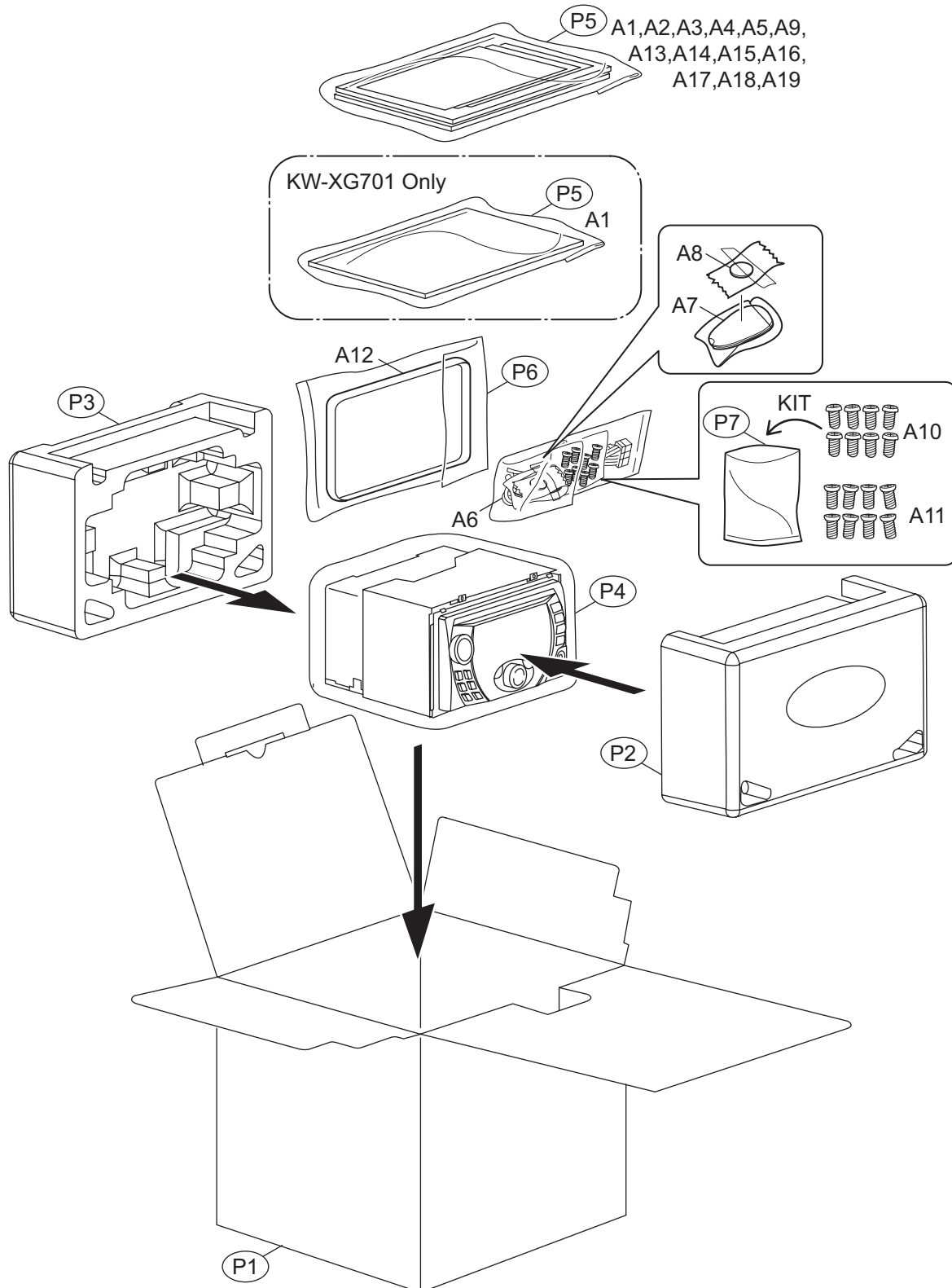
△ Symbol No.	Part No.	Part Name	Description	Local
Q321	RT6N430C-X	TRANSISTOR		
Q331	RT6N430C-X	TRANSISTOR		
Q341	RT6N430C-X	TRANSISTOR		
Q351	RT6N430C-X	TRANSISTOR		
D321	MC2836-X	DIODE		
D321	or MA152WA-X	DIODE		
D331	MC2836-X	DIODE		
D331	or MA152WA-X	DIODE		
R321	NRSA63J-821X	MG RESISTOR	820Ω 1/16W J	
R322	NRSA63J-181X	MG RESISTOR	180Ω 1/16W J	
R325	NRSA63J-0R0X	MG RESISTOR	0Ω 1/16W J	
R331	NRSA63J-821X	MG RESISTOR	820Ω 1/16W J	
R332	NRSA63J-181X	MG RESISTOR	180Ω 1/16W J	
R335	NRSA63J-0R0X	MG RESISTOR	0Ω 1/16W J	
R341	NRSA63J-821X	MG RESISTOR	820Ω 1/16W J	
R342	NRSA63J-181X	MG RESISTOR	180Ω 1/16W J	
R345	NRSA63J-0R0X	MG RESISTOR	0Ω 1/16W J	
R351	NRSA63J-821X	MG RESISTOR	820Ω 1/16W J	
R352	NRSA63J-181X	MG RESISTOR	180Ω 1/16W J	
R355	NRSA63J-0R0X	MG RESISTOR	0Ω 1/16W J	

△ Symbol No.	Part No.	Part Name	Description	Local
CN322 J321	QGA2001F1-07 QNN0740-001	CONNECTOR PIN JACK	W-B (1-7)	

Packing materials and accessories parts list

Block No. **M 3 M M**

No additional / supplemental order of WARRANTY CARDS are available.



The parts without symbol number are not service.

Packing and Accessories

Block No. [M][3][M][M]

△	Symbol No.	Part No.	Part Name	Description	Local
	A 1	GET0457-001A	INST BOOK	ENG FRE SPA	700J
	A 1	GET0461-001A	INST BOOK	GER FRE ITA	701E
	A 1	GET0461-004A	INST BOOK	DUT DAN FIN SWE	701EX
	A 1	GET0461-006A	INST BOOK	ENG GER RUS	701EY
	A 1	GET0461-005A	INST BOOK	SPA PER TUR	701EU
	A 1	GET0459-001A	INST BOOK	ENG	704UI
	A 1	GET0458-001A	INST BOOK	ENG THA	705U,705UH,706U,706UH
	A 1	GET0458-004A	INST BOOK	ENG INA	705UN,706UN
	A 1	GET0474-001A	INST BOOK	ENG RUS UKR	707EE
	A 1	GET0460-001A	INST BOOK	CHI(PEKIN)	708UF
	A 2	GET0461-002A	INST BOOK	SPA POR GRE	701E
	A 2	GET0461-003A	INST BOOK	ENG FRE	701EX,701EU
	A 2	GET0461-007A	INST BOOK	HUN CZE POL	701EY
	A 2	GET0458-002A	INST BOOK	ARA KOR CHI(TAIWAN) PER	705U,706U
	A 3	GET0457-002A	INSTALL MANUAL	ENG FRE SPA	700J
	A 3	GET0461-008A	INSTALL MANUAL	GER FRE ITA	701E
	A 3	GET0461-010A	INSTALL MANUAL	ENG FRE	701EX,701EU
	A 3	GET0461-013A	INSTALL MANUAL	ENG GER RUS	701EY
	A 3	GET0459-002A	INSTALL MANUAL	ENG	704UI
	A 3	GET0458-006A	INSTALL MANUAL	ENG THA	705U,705UH,706U,706UH
	A 3	GET0458-009A	INSTALL MANUAL	ENG INA	705UN,706UN
	A 3	GET0474-002A	INSTALL MANUAL	ENG RUS UKR	707EE
	A 3	GET0460-002A	INSTALL MANUAL	CHI(PEKIN)	708UF
	A 4	GET0461-009A	INSTALL MANUAL	SPA POR GRE	701E
	A 4	GET0461-011A	INSTALL MANUAL	DUT DAN FIN SWE	701EX
	A 4	GET0461-014A	INSTALL MANUAL	HUN CZE POL	701EY
	A 4	GET0461-012A	INSTALL MANUAL	SPA PER TUR	701EU
	A 4	GET0458-007A	INSTALL MANUAL	ARA KOR CHI(TAIWAN) PER	705U,706U
	A 5	-----	WARRANTY CARD	BT-51018-5	700J
	A 5	-----	WARRANTY CARD	BT-54031-1	701E,701EX,701EY,707EE
△	A 6	QAM0675-001	POWER CORD		700J
△	A 6	QAM0569-002	POWER CORD		701E,701EX,701EY,701EU,707EE
△	A 6	QAM0308-004	POWER CORD		704UI,705U,705UN,705UH,706U,706UN,706UH,708UF
△	A 6	QAM0980-001	POWER CORD		700J,701E,701EX,701EY,701EU,704UI,705U,705UN,705UH,706U,706UN,706UH,707EE
	A 7	RM-RK50C	REMOCON		
	A 8	-----	BATTERY	3V	
	A 9	LVT1672-001A	INST SHEET		
	A 10	QYSDSP5008ZA	SCREW	M5 x 8mm(x8)	
	A 11	QYSSSP5008ZA	SCREW	M5 x 8mm(x8)	
	A 12	GE20225-001A	TRIM PLATE		701E,701EX,701EY,701EU,707EE
	A 12	GE20224-002A	TRIM PLATE		704UI,705U,705UN,705UH
	A 12	GE20224-001A	TRIM PLATE		706U,706UN,706UH,708UF
	A 13	VND3050-002	IDENTITY CARD		701E,701EX,701EY
	A 14	VND3046-001	SERIAL TICKET		701E,701EX,701EY,707EE
	A 15	BT-51041-1	REGIS. CARD	BT-51041-1	700J
	A 16	-----	WARRANTY CARD	BT-52007-1	700J
	A 17	LV36827-001A	BLIND PLATE		700J
	A 18	GET0458-003A	INST BOOK	RUS	705U,706U
	A 19	GET0458-008A	INSTALL MANUAL	RUS	705U,706U
	KIT	SRW-KW400J	SCREW PARTS KIT	A10 A11	
	P 1	GE32743-001A	CARTON		700J
	P 1	GE32761-002A	CARTON		701E,701EX,701EY,701EU
	P 1	GE32755-001A	CARTON		704UI
	P 1	GE32746-001A	CARTON		705U,705UN,705UH
	P 1	GE32749-001A	CARTON		706U,706UN,706UH
	P 1	GE32764-001A	CARTON		707EE
	P 1	GE32758-001A	CARTON		708UF
	P 2	GE10202-002A	CUSHION FRONT		700J,704UI,705U,705UN,705UH,706U,706UN,706UH,708UF
	P 2	GE10207-002A	CUSHION FRONT		701E,701EX,701EY,701EU,707EE
	P 3	GE10203-001A	CUSHION REAR		700J,704UI,705U,705UN,705UH,706U,706UN,706UH,708UF
	P 3	GE10208-001A	CUSHION REAR		701E,701EX,701EY,701EU,707EE
	P 4	QPC03504015P	POLY BAG	35cm x 40cm	
	P 5	FSPG4002-001	POLY BAG		700J,704UI,705U,705UN,705UH,706U,706UN,706UH,707EE,708UF
	P 5	FSPG4002-001	POLY BAG	(x2)	701E,701EX,701EY,701EU
	P 6	QPA01502503	POLY BAG	15cm x 25cm	701E,701EX,701EY,701EU,704UI,705U,705UN,705UH,706U,706UN,706UH,707EE,708UF
	P 7	QPA00801205	POLY BAG	8cm x 12cm	